

 **BOEING**
COMPONENT
MAINTENANCE MANUAL

TO: ALL HOLDERS OF APU CONTROL PANEL ASSEMBLY M1 COMPONENT MAINTENANCE MANUAL
49-61-52

REVISION NO. 21 DATED NOV 01/04

HIGHLIGHTS

Pages which have been added or revised are outlined below together with the highlights of the revision. Remove and insert the affected pages as listed and enter Revision No. and date on the Record of Revision Sheet.

CHAPTER/SECTION

AND PAGE NO.

REPAIR-GEN

601

DESCRIPTION OF CHANGE

Added a torque value for the rotary switch installation.

49-61-52

HIGHLIGHTS

Page 1

Nov 01/04

01.1

APU CONTROL PANEL ASSEMBLY, M1

PART NUMBERS 233T3100-53,-144,-149,-153,
-164,-238,-461
233T3232-1,-5,-6,-9,-11 THRU
-13,-16 THRU -23,-300
THRU -305

COMPONENT MAINTENANCE MANUAL
WITH
ILLUSTRATED PARTS LIST

49-61-52

TITLE PAGE

Page 1

Nov 01/03

01.1

REVISION RECORD

- Retain this record in front of manual. On receipt of revision, insert revised pages in the manual, and enter revision number, date inserted and initial.

REVISION NUMBER	REVISION DATE	DATE FILED	BY	REVISION NUMBER	REVISION DATE	DATE FILED	BY

TEMPORARY REVISION AND SERVICE BULLETIN RECORD

BOEING SERVICE BULLETIN	BOEING TEMPORARY REVISION	OTHER DIRECTIVE	DATE OF INCORPORATION INTO MANUAL
233T3232-49-1		PRR C12010 PRR C12011 PRR B10944-1 PRR B10976 PRR B10944-2 PRR C12526 PRR 54427 PRR B12574	OCT 10/82 OCT 10/82 OCT 10/83 OCT 10/83 JAN 10/84 OCT 10/85 DEC 01/94 DEC 01/94 MAR 01/04
233T3232-49-2			

49-61-52

TR & SB RECORD

01.1

Page 1

Mar 01/04

PAGE	DATE	CODE	PAGE	DATE	CODE
49-61-52			TESTING & TROUBLE SHOOTING		CONT.
			112	BLANK	
TITLE PAGE			REPAIR-GENERAL		
1	NOV 01/03	01.1	*601	NOV 01/04	01.1
2	BLANK		602	BLANK	
REVISION RECORD			ILLUSTRATED PARTS LIST		
1	JUL 01/03	01.1	1001	JUL 01/03	01.1
2	BLANK		1002	JUL 01/03	01.1
TR & SB RECORD			1003	NOV 01/03	01.1
1	MAR 01/04	01.1	1004	NOV 01/03	01.1
2	BLANK		1005	NOV 01/03	01.1
LIST OF EFFECTIVE PAGES			1006	NOV 01/03	01.1
*1	NOV 01/04	01	1007	NOV 01/03	01.1
THRU LAST PAGE			1008	NOV 01/03	01.1
CONTENTS			1009	NOV 01/03	01.1
1	JUL 01/03	01.1	1010	NOV 01/03	01.1
2	BLANK		1011	NOV 01/03	01.1
INTRODUCTION			1012	NOV 01/03	01.1
1	JUL 01/03	01.1	1013	NOV 01/03	01.1
2	BLANK		1014	NOV 01/03	01.1
DESCRIPTION & OPERATION			1015	NOV 01/03	01.1
1	JUL 01/03	01.1	1016	NOV 01/03	01.1
2	BLANK		1017	NOV 01/03	01.1
TESTING & TROUBLE SHOOTING			1018	NOV 01/03	01.1
101	JUL 01/03	01.1	1019	BLANK	
102	NOV 01/03	01.1	1020	NOV 01/03	01.1
103	JUL 01/03	01.1	1021	MAR 01/04	01.1
104	NOV 01/03	01.1	1022	MAR 01/04	01.1
105	NOV 01/03	01.1	1023	MAR 01/04	01.101
106	NOV 01/03	01.1	1024	MAR 01/04	01.101
107	NOV 01/03	01.1	1025	MAR 01/04	01.101
108	BLANK		1026	NOV 01/03	01.1
109	NOV 01/03	01.1	1027	NOV 01/03	01.1
110	BLANK		1028	NOV 01/03	01.1
111	NOV 01/03	01.1	1029	BLANK	
			1030	NOV 01/03	01.1
			1031	NOV 01/03	01.1
			1032	NOV 01/03	01.1
			1033	NOV 01/03	01.1
			1034	NOV 01/03	01.1
			1035	NOV 01/03	01.1

* = REVISED, ADDED OR DELETED

49-61-52

EFFECTIVE PAGES
CONTINUED Page 1
01 Nov 01/04

PAGE	DATE	CODE	PAGE	DATE	CODE
ILLUSTRATED PARTS LIST		CONT.			
1036	NOV 01/03	01.1			
1037	MAR 01/04	01.1			
1038	MAR 01/04	01.1			
1039	MAR 01/04	01.1			
1040	NOV 01/03	01.1			
1041	NOV 01/03	01.1			
1042	NOV 01/03	01.1			
1043	BLANK				
1044	NOV 01/03	01.1			
1045	NOV 01/03	01.1			
1046	NOV 01/03	01.1			
1047	NOV 01/03	01.1			
1048	NOV 01/03	01.1			
1049	NOV 01/03	01.1			
1050	NOV 01/03	01.1			
1051	NOV 01/03	01.1			
1052	NOV 01/03	01.1			
1053	NOV 01/03	01.1			
1054	NOV 01/03	01.1			
1055	NOV 01/03	01.1			
1056	BLANK				

* = REVISED, ADDED OR DELETED

49-61-52

EFFECTIVE PAGES
 LAST PAGE Page 2
 01 Nov 01/04

TABLE OF CONTENTS

<u>Paragraph Title</u>	<u>Page</u>
Description and Operation	1
Testing and Trouble Shooting	101
Disassembly*[1]
Cleaning.*[1]
Check*[1]
Repair.	601
Assembly.*[2]
Fits and Clearances (not applicable)	
Special Tools, Fixtures, and Equipment.*[1]
Illustrated Parts List.	1001

*[1] Use applicable procedures in SOPM (Standard Overhaul Practices Manual) 20-11-05 and standard industry practices.

*[2] Special instructions not required.

INTRODUCTION

The instructions in this manual provide the information necessary to perform maintenance functions including test, fault isolation, and replacement of defective components.

This manual is divided into separate sections:

- | | |
|---|--------------------------------|
| 1. Title Page | 4. List of Effective Pages |
| 2. Record of Revisions | 5. Table of Contents |
| 3. Temporary Revisions &
Service Bulletin Record | 6. Introduction |
| | 7. Procedures and IPL Sections |

Refer to the Table of Contents for the page location of applicable sections.

An explanation of the use of the Illustrated Parts List is provided in the Introduction of that section.

All weights and measurements used in the manual are in English units unless otherwise stated. When metric equivalents are given they will be in parentheses following the English units.

Design changes, optional parts, configuration differences and Service Bulletin modifications create alternate part numbers. These are identified in the Illustrated Parts List (IPL) by adding an alphabetical character to the basic item number. The resulting item number is called an alpha-variant. Throughout the manual, IPL basic item number references also apply to alpha-variants unless otherwise indicated.

Verification:

Testing/TS Nov 15/82

49-61-52

INTRODUCTION

01.1

Page 1

Jul 01/03

APU CONTROL PANEL ASSEMBLY M1

DESCRIPTION AND OPERATION

1. Description

- A. The auxiliary power unit control panel assembly consists of a baseplate assembly and a support bracket. The baseplate assembly includes indicators and a switch. Relays and a connector are mounted on the support bracket, which is attached to the baseplate assembly by standoffs. A wire bundle assembly interconnects the switch, indicators, relays, and connector.

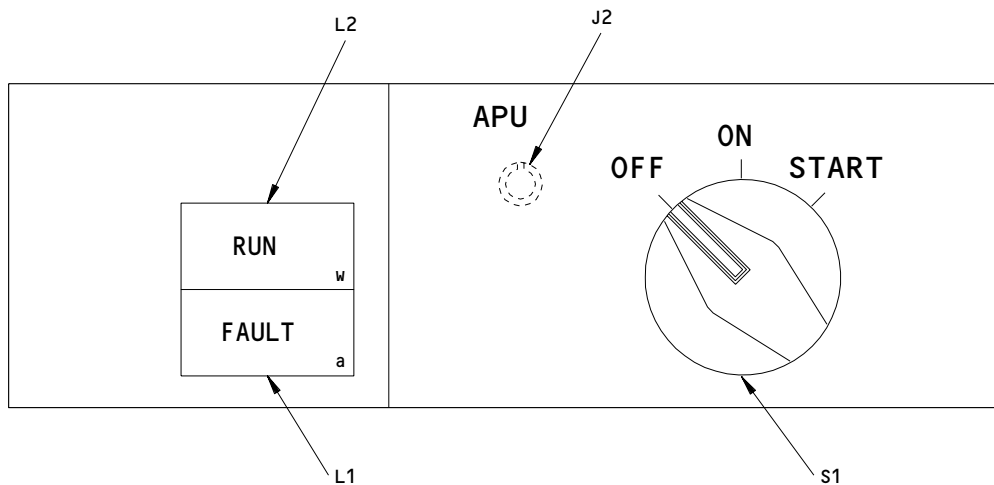
TESTING AND TROUBLE SHOOTING

1. Test Equipment

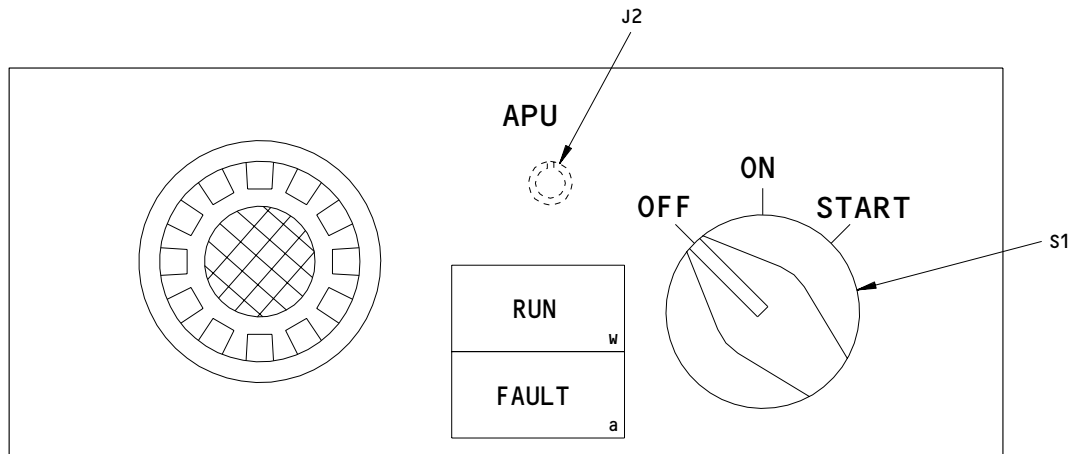
- A. Multimeter: Simpson 260 or equivalent
- B. Power supply: 0-30 vdc variable, 0.5 amp
- C. Oscilloscope: Tektronix 5111 or equivalent
- D. Test connector: BACC45FT18-31S6. Boeing breakout box A33003-2 with cable A33003-36 may be used.

2. Functional Test

- A. Connect test connector to J1.
- B. Perform test steps listed in Fig. 103. Component locations are shown in Fig. 101.



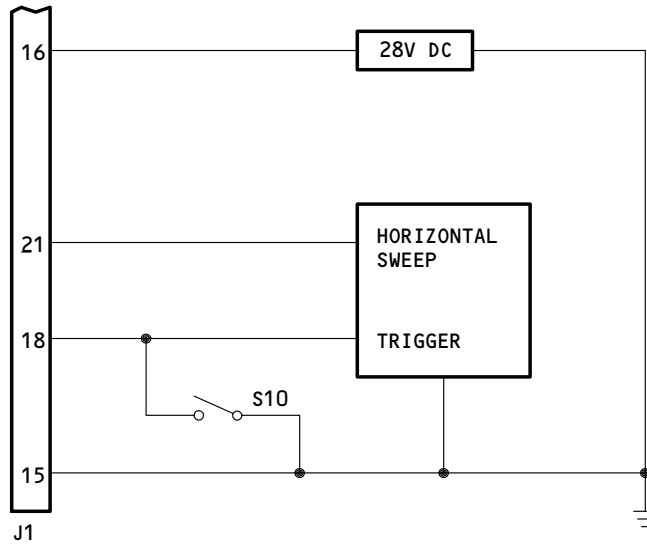
233T3100-53,-144,-149,-153,-164,-238
 233T3232-1,-5,-6,-9,-11,-12,-16 THRU
 -21,-300,-302,-303,-305



233T3100-461
 233T3232-13,-22,-301,-304

Component Locations
 Figure 101

49-61-52



Time Delay Test Setup
Figure 102

57383

STEP	TEST PROCEDURE	REQUIRED RESULTS	COMP TEST
	Measure ohms between the pins shown below (Open=15k ohms min, Continuity=3 ohms max):		
	(+) (-)		
1.1	J1-5 / J1-27	Continuity	Wiring
1.2	J1-15 / J1-25	Continuity	Wiring
1.3	J1-16 / J1-17	Continuity	K2
1.4	J1-16 / J1-21	Open	K2
1.5	J1-16 / J1-26	Continuity	Wiring
1.6	J1-22 / J1-23	Open	K1
<u>233T3232-9,-11,-12,-13,-19 thru -22, -300,-301,-302,-303,-304,-305;</u>			
<u>233T3100-153,-164,-238,-461 only:</u>			
1.7	J1-15 / J1-16	Open	CR1
<u>All assemblies:</u>			
		S1 OFF S1 ON S1 START	
		<u>(CCW)</u> <u>(CENTER)</u> <u>(CW & HOLD)</u>	
1.8	J1-5 / J1-15	Open Open Cont	S1
1.9	J1-5 / J1-19	Open Cont Cont	S1
1.10	J1-7 / J1-6	Open Cont Cont	S1
1.11	J1-9 / J1-8	Open Cont Cont	S1
1.12	Remove all connections.		
2.1	Apply +28 ±1.0v dc to J1-3.		
2.2	Ground J1-4.	L1 (FAULT) and L2 (RUN) are on	L1,L2
2.3	Remove ground from J1-4.		
2.4	Ground J1-11.	L1 (FAULT) is on	L1
2.5	Remove ground from J1-11.		
2.6	Ground J1-23.	L2 (RUN) is on	L2

 Functional Test
 Figure 103 (Sheet 1)

49-61-52

STEP	TEST PROCEDURE	REQUIRED RESULTS	COMP TEST
2.7	Remove all connections.		
2.8	Ground J1-3.		
	Apply +28 ±1.0v dc momentarily to the pin shown below:		
2.9	J1-4	L1 (FAULT) and L2 (RUN) are off	L1,L2
2.10	J1-11	L1 (FAULT) and L2 (RUN) are off	L1
2.11	J1-23	L1 (FAULT) and L2 (RUN) are off	L2
2.12	Remove all connections.		
<u>All assemblies except 233T3232-300,-301,-302,-303,-304,-305; 233T3100-53,-144,-149,-153,-164,-238,-461:</u>			
Measure ohms between the pins shown below:			
	(+) (-)		
3.1	J1-1 / J1-2	Open	J2
3.2	J1-1 / Center of J2	Continuity	J2
3.3	J1-2 / Baseplate	Continuity	J2
<u>233T3232-300,-301,-302,-303,-304,-305; 233T3100-53,-144,-149,-153,-164,-238,-461 only:</u>			
3.4	Apply 5 ±0.5v dc to J1-1 and 5v return to J1-2.	All panel lights are on	Light-plate, J2
<u>All assemblies:</u>			
3.5	Remove all connections.		
4.1	Apply +28 ±1.0v dc to J1-16.		
4.2	Ground J1-5.		

Functional Test
Figure 103 (Sheet 2)

STEP	TEST PROCEDURE	REQUIRED RESULTS	COMP TEST
4.3	Set switch S1 to START and then release to ON position.		
4.4	Measure ohms between J1-22(+) and J1-23(-).	Continuity	K1, K2*[1], CR1*[2]
4.5	Measure ohms between J1-5(+) and J1-15(-).	Continuity	K1
4.6	Measure dc voltage at J1-21.	0 ±1.0v dc	K2
4.7	Remove ground from J1-5 and connect test setup as shown in Fig. 102.		
4.8	Select negative edge trigger on the oscilloscope.		
4.9	Set test setup switch S10 to on and measure dc voltage at J1-21.	28 ±1.0v dc on J1-21 in 90-110 milliseconds.	K2,K3
4.10	Measure dc voltage at J1-17.	0 ±1.0v dc	K2
	Measure ohms between the pins shown below (Open=15k ohms min, Continuity=3 ohms max):		
	<u>233T3232-1,-5,-6; 233T3100-53,-144,-149 only:</u>		
4.11	(+) (-) J1-22 / J1-23	Open	K1,K2
	<u>233T3232-9,-11,-12,-13,-19 thru -22,-300,-301,-302,-303,-304,-305;</u>		
	<u>233T3100-153,-164,-238,-461 only:</u>		
4.12	J1-16 / J1-21	Continuity	K2
4.13	J1-16 / J1-26	Open	K2
4.14	J1-26 / J1-17	Continuity	Wiring

 Functional Test
 Figure 103 (Sheet 3)

49-61-52

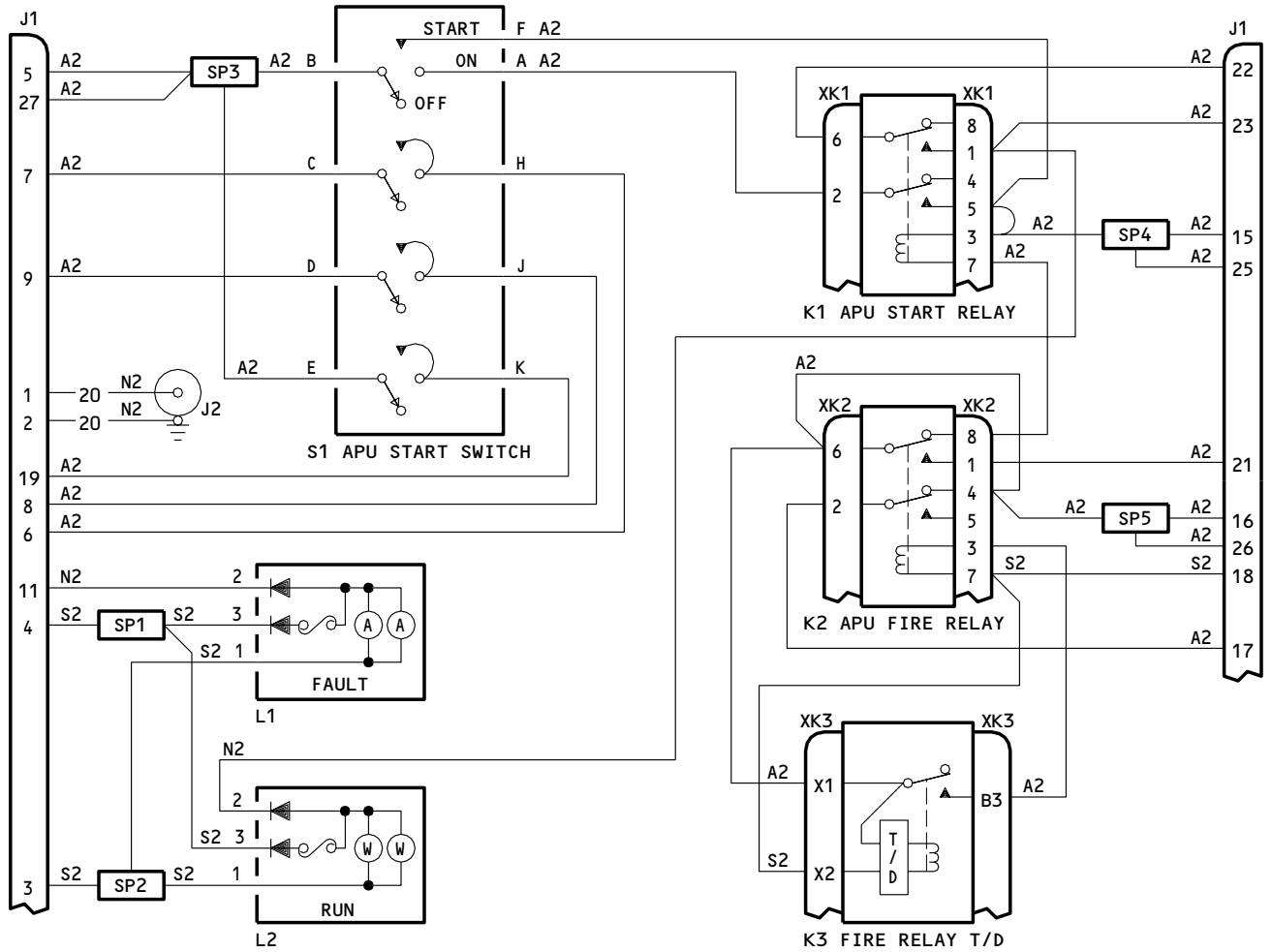
STEP	TEST PROCEDURE	REQUIRED RESULTS	COMP TEST
4.15	Measure ohms between J1-5(+) and J1-18(-)(S1 should still be in the ON position).	Continuity	K2
4.16	Remove +28v dc from J1-16 and measure ohms between J1-5(+) and J1-18(-). <u>All assemblies:</u>	Open	K2
4.17	Remove all connections.		

*[1] 233T3232-1, -5, -6, -16, -17, -18; 233T3100-53, -144, -149 only

*[2] 233T3232-9, -11, -12, -13, -19 thru -22, -300, -301, -302, -303, -304, -305;
233T3100-153, -164, -238, -161

Functional Test
Figure 103 (Sheet 4)

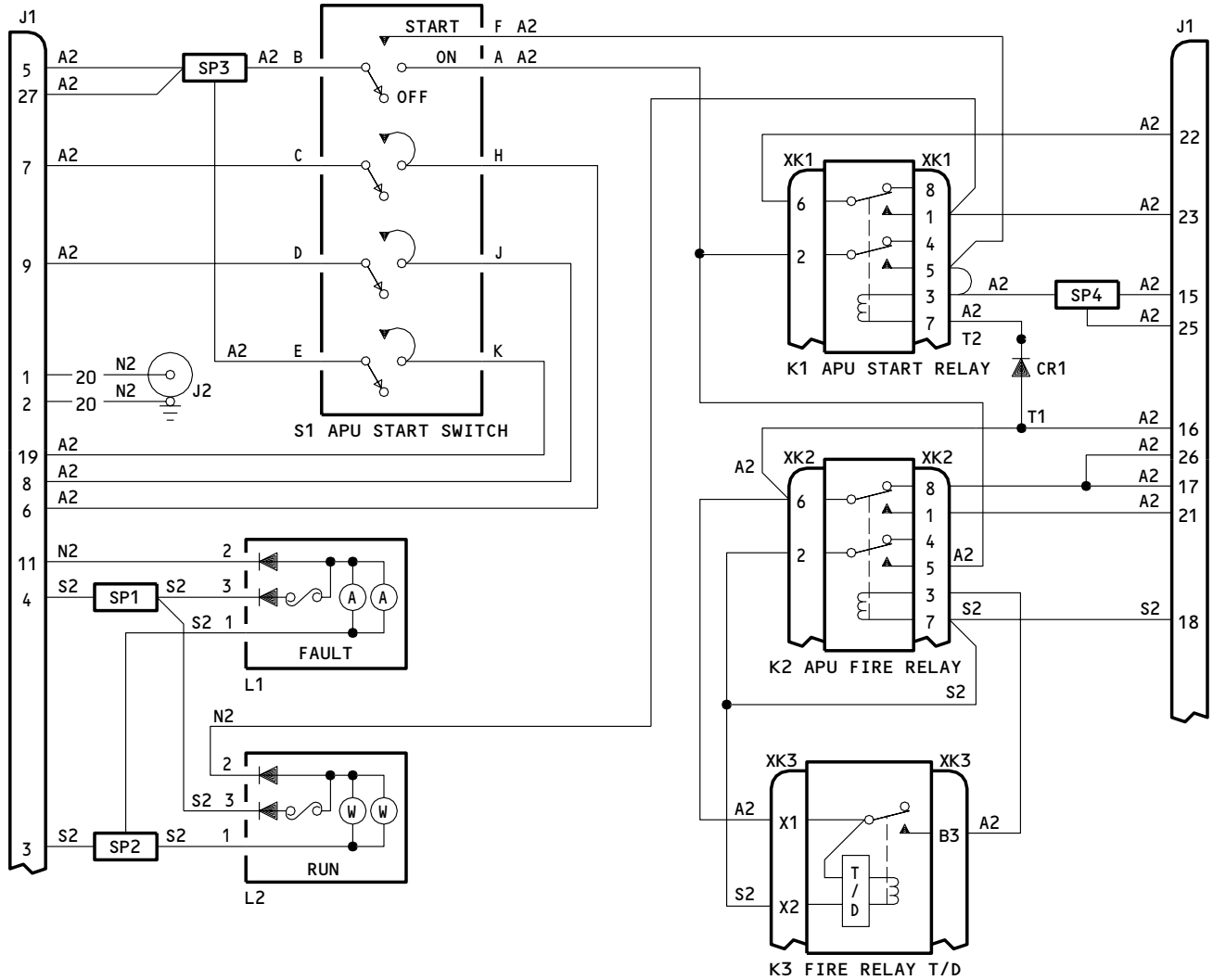
49-61-52



NOTE: ALL WIRE IS BMS 13-48 SIZE AWG 22 EXCEPT AS NOTED.
SEPARATION CODES A2,N2, AND S2: SEE REPAIR.

233T3100-53,-144,-149
233T3232-1,-5,-6,-16,-17,-18
Schematic Diagram
Figure 104

49-61-52



NOTE: ALL WIRE IS BMS 13-48 SIZE AWG 22
UNLESS SHOWN DIFFERENTLY.
SEPARATION CODES A2,N2, AND S2, SEE REPAIR.

233T3100-153,-164,-238,-461
233T3232-9,-11 thru -13,-19 thru -22,-300 thru -305
Schematic Diagram
Figure 105

49-61-52

REPAIR

1. Materials

A. Varglas non-fray type H0 or HP sleeving (Varflex Corporation, 512 W. Court Street, Rome, New York, 13440)

2. All repairs may be performed with the standard industry practices and procedures contained in SOPM 20-11-05 except as listed below.

A. When wires are replaced, a minimum spacing of one-quarter inch must be maintained between bundle categories. Wires labeled N2 may be bundled with wires of any category. Separators or Varglas sleeving may be used to assure proper spacing. Bundles must be color-coded as follows: A2 (orange), N2 (white), and S2 (blue).

B. When you replace rotary switch S1, apply 20 \pm 2 in-lbs using a torque wrench that meets the torque value requirement. Do not rotate or move hardware or switch body after torque has been applied.

49-61-52

REPAIR-GENERAL

01.1

Page 601

Nov 01/04

ILLUSTRATED PARTS LIST

1. This section lists and illustrates replaceable or repairable component parts. The Illustrated Parts Catalog contains a complete explanation of the Boeing part numbering system.

2. Indentures show parts relationships as follows:

Assembly

Detail Parts for Assembly

Subassembly

Attaching Parts for Subassembly

Detail Parts for Subassembly

Detail Installation Parts (Included only if installation parts may be returned to shop as part of assembly)

3. One use code letter (A, B, C, etc.) is assigned in the EFF CODE column for each variation of top assembly. All listed parts are used on all top assemblies except when limitations are shown by use code letter opposite individual part entries.

4. Letter suffixes (alpha-variants) are added to item numbers for optional parts, Service Bulletin modification parts, configuration differences (except left- and right-hand parts), product improvement parts, and parts added between two sequential item numbers. The alpha-variant is not shown on illustrations when appearance and location of all variants of the part are the same.

5. Service Bulletin modifications are shown by the notations PRE SB XXXX and POST SB XXXX.

A. When a new top assembly part number is assigned by Service Bulletin, the notations appear at the top assembly level only. The configuration differences at detail part level are then shown by use code letter.

B. When the top assembly part number is not changed by the Service Bulletin, the notations appear at the detail part level.

6. Parts Interchangeability

Optional
(OPT)

The parts are optional to and interchangeable with other parts having the same item number.

Supersedes, Superseded By
(SUPSDS, SUPSD BY)

The part supersedes and is not interchangeable with the original part.

Replaces, Replaced By
(REPLS, REPLD BY)

The part replaces and is interchangeable with, or is an alternate to, the original part.

7. Deleted.

49-61-52

ILLUSTRATED PARTS LIST
01.1 Page 1002
Jul 01/03

VENDORS

01526 GENICOM CORP
ONE GENICOM DRIVE
WAYNESBORO, VIRGINIA 22980-1999
FORMERLY GE SPECIALY CONTROL & DATA COMMUNICATIONS PROD DEPT

03743 APPLETON ELECTRIC CO DIV OF EMERSON ELECTRIC CO
2205 12TH AVENUE
SOUTH MILWAUKEE, WISCONSIN 53172-2541
FORMERLY IN CHICAGO, ILLINOIS

05617 IDD AEROSPACE CORP
18225 NORTHEAST 76TH STREET PO BOX 97056
REDMOND, WASHINGTON 98073-9756
FORMERLY FARWEST ELEC INC; FORMERY IN BELLEVUE, WA;
FORMERLY BELL IND FARWEST MFG DIV; FORMERLY BELL IND
ILLUMINATED DISPLAYS DIV

08524 DEUTSCH FASTENER CORP SEE CODE V97928

09026 BABCOCK ELECTRONICS CORP CONTROL PRODUCT DIV SEE
ESTERLINE ELECTRONICS CORP V82050

11139 DEUTSCH CO THE ENGINEERED CONNECTING DEVICES
700 SOUTH HATHAWAY MUNICIPAL AIRPORT
BANNING, CALIFORNIA 92220
FORMERLY DEUTSCH CO ELECTRONIC COMPONENTS DIV

12324 DUPREE INC STAKE FASTENER CO
14395 RAMONA PO BOX 1797
CHINO, CALIFORNIA 91708
FORMERLY DUPREE MFG CO IN SOUTH EL MONTE, CALIFORNIA
FORMERLY STAKE FASTENER CO DIV OF DUPREE INC

49-61-52

VENDORS

15084 DUPREE INC AEROSPACE KNOB CO DIV
14395 RAMONA PO BOX 1797
CHINO, CALIFORNIA 91708-1797
FORMERLY AEROSPACE KNOB CO DIV OF DUPREE INC
FORMERLY IN SOUTH EL MONTE, CALIFORNIA

15653 FAIRCHILD FASTENERS KAYNAR PRODUCTS DIV
800 S STATE COLLEGE BLVD
FULLERTON, CALIFORNIA 92831-3001
FORMERLY VK6405 MICRODOT AEROSP LTD; FORMERLY KAYNAR TECH
KAYNAR DIV

18310 CONCORD ELECTRONICS CORP
30 GREAT JONES STREET
NEW YORK, NEW YORK 10012-1115

31946 COLE INSTRUMENT CORP
2650 CRODDY WAY
SANTA ANA, CALIFORNIA 92704-5238

35344 LEACH CORP RELAY DIV SEE LEACH CORP CONTROL PROD DIV V58657

51896 SPECTRA LUX CORP
12335 134TH COURT NE
REDMOND, WASHINGTON 98052
FORMERLY IN KIRKLAND, WA

55104 TRI-STAR ELECTRONICS INC
2201 ROSECRANS AVENUE
EL SEGUNDO, CALIFORNIA 90245
FORMERLY IN VENICE, CA; FORMERLY V71771 CORY COMPONENTS

58614 COMMUNICATIONS INSTRUMENTS INC
HWY 74 EAST, PO BOX 520
FAIRVIEW, NORTH CAROLINA 28730

49-61-52

VENDORS

58657 LEACH INTERNATIONAL OF NORTH AMERICA
6900 ORANGETHORPE AVE PO BOX 5032
BUENA PARK, CALIFORNIA 90622-5032
FORMERLY LEACH CORP V35344 AND V00614

58982 PRECISION CONNECTOR DESIGNS INC
CENTENNIAL PARK 2 TECHNOLOGY DRIVE
PEABODY, MASSACHUSETTS 01960
FORMERLY IN WINCHESTER, MASSACHUSETTS

60119 MONADNOCK CO THE
18301 ARENTH AVENUE PO BOX 1222
CITY OF INDUSTRY, CALIFORNIA 91749
FORMERLY UNITED CARR FASTENER CORP VB0051 VB0056 VB0076
FORMERLY TRW ELECTRONIC COMPONENTS CINCH-MONADNOCK DIV
FORMERLY CINCH-MONADNOCK DIV OF TRW INC V76530

71482 CP CLARE CORP NORTH AMERICA SALES OPERATIONS
601B CAMPUS DRIVE
ARLINGTON HEIGHTS, ILLINOIS 60004
FORMERLY CLARE DIV OF GENERAL INSTRUMENT CORP
FORMERLY IN CHICAGO, ILLINOIS

72794 DFCI SOLUTIONS INC
425 UNION BLVD
WEST ISLIP, NEW YORK 11795-3116
FORMERLY DZUS FASTENER

72962 HARVARD INDUSTRIES INC
3 WERNER WAY SUITE 210
LEBANON, NEW JERSEY 08833
FORMERLY AMERACE CORP ESNA DIV
FORMERLY ELASTIC STOP NUT IN UNION, NJ

81590 KORRY ELECTRONIC INC SUB OF CRITON CORP
901 DEXTER AVENUE NORTH
SEATTLE, WASHINGTON 98109-3515
FORMERLY KORRY, BORIS VB0021 AND KORRY MFG CO

88245 WINCHESTER ELECTRONICS LITTON SYSTEMS INC USECO DIV
13536 SATICOY STREET
VAN NUYS, CALIFORNIA 91409
FORMERLY U.S. ENGINEERING CO V88245 AND LITTON PRECISION
PRODUCTS INC USECO DIV LITTON IND AND LITTON SYSTEMS
INC USECO DIV

49-61-52

ILLUSTRATED PARTS LIST
01.1 Page 1005
Nov 01/03

VENDORS

91663 ARMEL ELECTRONICS, INCORPORATED
1601 75TH STREET
NORTH BERGEN, NEW JERSEY 07047-4046
FORMERLY BROOKLYN, NEW YORK

91812 JANCO CORPORATION
3111 WINONA AVENUE,PO BOX 3038
BURBANK, CALIFORNIA 91504-2543

95266 O E C O CORP
4607 SE INTERNATIONAL WAY
MILWAUKIE, OREGON 97222
FORMERLY OSBOURNE ELECTRIC IN PORTLAND, OREGON

49-61-52

ILLUSTRATED PARTS LIST
01.1 Page 1006
Nov 01/03

REFERENCE DESIGNATOR INDEX (SEE SCHEMATIC DIAGRAM)		
REFERENCE DESIGNATOR	PART NUMBER	FIG-ITEM
CR1	JANTX1N5618	1-78
CR1	JANTX1N5618	2-80
CR1	JANTX1N5618	3-95
CR1	JANTX1N5618	4-95
CR1	1N5618	5-65
J1	BACC45FN18-31P6	1-75
J1	BACC45FN18-31P6	2-75
J1	BACC45FN18-31P6	3-90
J1	BACC45FN18-31P6	4-90
J1	BACC45FN18-31P6	5-110
J2	800-000121-1	30A
J2	800000121-1	1-15
J2	800000121-1	2-15
J2	800000121-1	3-30
J2	800000121-1	4-30
K1	3SAV1338A2	1-80
K1	3SAV1338A2	2-85
K1	3SAV1338A2	3-100
K1	3SAV1338A2	4-100
K1	3SAV1338A2	5-75
K2	3SAV1338A2	1-80
K2	3SAV1338A2	2-85
K2	3SAV1338A2	3-100
K2	3SAV1338A2	4-100
K2	3SAV1338A2	5-75
K3	TDH1798-1000	1-85
K3	TDH1798-1000	2-90
K3	TDH1798-1000	3-105
K3	TDH1798-1000	4-105
K3	TDH1798-1000	5-85
L1	BCREF6196	1-5
L1	BCREF6196	5B
L1	BCREF6196	3-20
L1	BCREF6196	20B
L1	BCREF8532	1-5A
L1	BCREF8532	5C
L1	BCREF8532	2-5
L1	BCREF8532	3-20A
L1	BCREF8532	20C
L1	BCREF8532	4-20

REFERENCE DESIGNATOR INDEX (SEE SCHEMATIC DIAGRAM)

REFERENCE DESIGNATOR	PART NUMBER	FIG-ITEM
L1	BCREF8532	5-25
L2	BCREF6201	1-10
L2	BCREF6201	10B
L2	BCREF6201	3-25
L2	BCREF6201	25B
L2	BCREF8552	1-10A
L2	BCREF8552	10C
L2	BCREF8552	2-10
L2	BCREF8552	3-25A
L2	BCREF8552	25C
L2	BCREF8552	4-25
L2	BCREF8552	5-20
S1	AC45-0003-2	1-20
S1	AC45-0003-2	3-35B
S1	AC45-0003-3	1-20A
S1	AC45-0003-3	3-35
S1	AC45-0003-3	35C
S1	AC45-0003-4	1-20B
S1	AC45-0003-4	2-20
S1	AC45-0003-4	3-35A
S1	AC45-0003-4	35D
S1	AC45-0003-4	4-35
S1	AC45-0003-4	35A
S1	AC45-0003-4	5-35
S1	3600-5929	1-20C
S1	3600-5929	2-20A
S1	3600-5929	3-35E
S1	3600-5929	4-35B
S1	3600-5929	5-35A
T1	BCREF127088	70
T1	4443B9	1-87
T1	4443B9	2-95
T1	4443B9	3-110
T1	4443B9	4-110
T2	BCREF127088	5-70
T2	4443B9	1-87
T2	4443B9	2-95
T2	4443B9	3-110
T2	4443B9	4-110
XK1	HRTS17KM	1-90
XK1	HRTS17KM	3-115
XK1	RSE120026	2-100
XK1	RSE120026	3-115A
XK1	RSE120026	4-115
XK1	RSE120026	5-90

49-61-52

REFERENCE DESIGNATOR INDEX (SEE SCHEMATIC DIAGRAM)		
REFERENCE DESIGNATOR	PART NUMBER	FIG-ITEM
XK1	451120-026	1-90A
XK2	HRTS17KM	90
XK2	HRTS17KM	3-115
XK2	RSE120026	2-100
XK2	RSE120026	3-115A
XK2	RSE120026	4-115
XK2	RSE120026	5-90
XK2	451120-026	1-90A
XK3	S0-1064-001	95A
XK3	S0-1064-001	3-120A
XK3	S0-1064-007	1-97
XK3	S0-1064-007	2-105
XK3	S0-1064-007	3-120
XK3	S0-1064-007	4-120
XK3	S0-1064-007	5-95

49-61-52

PART NUMBER	AIRLINE PART NO.	FIG.	ITEM	TTL REQ
AC45-0003-2		1	20	1
		3	35B	1
AC45-0003-3		1	20A	1
		3	35	1
AC45-0003-4		1	20B	1
		2	20	1
		3	35A	1
		4	35	1
		5	35	1
BACC45FN18-31P6		1	75	1
		2	75	1
		3	90	1
		4	90	1
		5	110	1
BACN10NW1		1	70	2
		2	70	2
		3	85	2
		4	85	2
		5	105	2
BACN10PA06-6		1	35	2
		2	35	2
		3	50	2
		4	50	2
		5	50	2
BACP10U0187N		1	45	1
		3	60	1
		5	60	1
BACP10U0225N		2	45	1
		4	60	1
		1	80	2
BACR13CD2		2	85	2
		3	100	2
		4	100	2
		5	75	2

49-61-52

 ILLUSTRATED PARTS LIST
 01.1 Page 1010
 Nov 01/03

PART NUMBER	AIRLINE PART NO.	FIG.	ITEM	TTL REQ
BACS12CB06-5		1	50	3
BACS12HN04-5		5	100A	2
BACS12HN06-5		5	115A	3
BACS16AG1		1	90A	2
		2	100	2
		3	115A	2
		4	115	2
		5	90	2
BACS21DD1B		1	40	4
		3	55	4
		5	55	4
BACS21DX1B		2	40	4
		4	55	4
BACW10EC06CD		5	120A	3
BCREF127088		5	70	2
BCREF6196		1	5	1
		3	20	1
BCREF6201		1	10	1
		3	25	1
BCREF8532		1	5A	1
		2	5	1
		3	20A	1
		4	20	1
		5	25	1
BCREF8552		1	10A	1
		2	10	1
		3	25A	1
		4	25	1
		5	20	1
BP248-110		3	5A	1
		4	5	1
		5	5	1
BR16S233		1	80	2
		2	85	2
		3	100	2
		4	100	2
		5	75	2
CTSS20-20		1	98B	8
		1	99A	3
		3	123A	8
		3	125A	3
DBMB1400-6A1		1	40	4
		3	55	4

PART NUMBER	AIRLINE PART NO.	FIG.	ITEM	TTL REQ
DBMB1400-6A1 EE4AA005		5	55	4
		1	80	2
		2	85	2
		3	100	2
		4	100	2
FH6C5CPL12BN FH6C6CPL12BN		5	75	2
		5	40A	3
		2	30	3
		4	45	3
		1	80	2
HFW1204K01		2	85	2
		3	100	2
		4	100	2
		5	75	2
		1	80	2
HFW1206K03		2	85	2
		3	100	2
		4	100	2
		5	75	2
		1	90	2
HRTS17KM		3	115	2
		1	78	1
		2	80	1
JANTX1N5618		3	95	1
		4	95	1
		1	70	2
		2	70	2
K19798-04		3	85	2
		4	85	2
		5	105	2
		2	55	3
		4	70	3
MS35338-136		1	55	3
MS35338-41		3	70	3
		2	65	2
MS51957-14		4	80	2

49-61-52

 ILLUSTRATED PARTS LIST
 01.1 Page 1012
 Nov 01/03

PART NUMBER	AIRLINE PART NO.	FIG.	ITEM	TTL REQ
MS51957-27		2	50	3
		4	65	3
M39029-1-101		1	120A	16
		2	125	16
M39029-1-101		3	140A	16
		4	140	16
		5	140	16
M39029-1-16-20		1	110	15
		3	150	15
M39029-22-192		1	98	8
		1	99	3
		2	110	3
		3	123	8
		3	125	3
		4	125	3
		5	80	3
		1	65B	2
NAS1801-04-5		3	80	2
		5	100	2
		1	50A	3
NAS1801-06-5		3	65	3
		5	115	3
		1	30	3
NAS514P632-5		3	45	3
		2	40	4
PFSC35-38ASEMB		4	55	4
		1	70	2
RMA4812-160-40		2	70	2
		3	85	2
		4	85	2
		5	105	2
		5	105	2

49-61-52

ILLUSTRATED PARTS LIST
01.1 Page 1013
Nov 01/03

PART NUMBER	AIRLINE PART NO.	FIG.	ITEM	TTL REQ
RSE120026		2	100	2
		3	115A	2
		4	115	2
		5	90	2
		1	35	2
SF6G6CBB5D		2	35	2
		3	50	2
		4	50	2
		5	50	2
		1	95A	1
S0-1064-001		3	120A	1
S0-1064-007		1	97	1
		2	105	1
		3	120	1
		4	120	1
		5	95	1
S231T300-1036		1	5	1
S231T300-1036		3	20	1
S231T300-1122		1	10	1
		3	25	1
S231T300-2036		1	5A	1
		2	5	1
		3	20A	1
		4	20	1
		5	25	1
S231T300-2122		1	10A	1
		2	10	1
		3	25A	1
		4	25	1
		5	20	1
S233T100-1115		4	10	1
S233T100-6025		3	10A	1
		5	10	1
TDH1798-1000		1	85	1
		2	90	1
		3	105	1
		4	105	1
		5	85	1

49-61-52

 ILLUSTRATED PARTS LIST
 01.1 Page 1014
 Nov 01/03

PART NUMBER	AIRLINE PART NO.	FIG.	ITEM	TTL REQ
1N5618		5	65	1
1175-432-032011		5	70	2
233T3100-144		1	1M	RF
		3	1C	RF
233T3100-149		1	1N	RF
		3	1D	RF
233T3100-153		1	1P	RF
		3	1E	RF
233T3100-164		1	1Q	RF
		3	1F	RF
233T3100-238		1	1R	RF
		3	1G	RF
233T3100-461		1	1S	RF
		4	1B	RF
233T3100-53		1	1L	RF
		3	1B	RF
233T3232-1		1	1	RF
		3	15A	1
233T3232-10		1	115B	1
		2	120	1
		3	135	1
		4	135	1
		5	135	1
233T3232-11		1	1E	RF
		1	2	RF
		3	15E	1
233T3232-12		1	1F	RF
		1	2A	RF
		3	15	1
233T3232-13		1	1G	RF
		1	2B	RF
		2	1A	RF
		4	15	1
233T3232-14		2	25	1
		4	40	1
233T3232-15		5	15	1
233T3232-16		1	1W	RF
233T3232-17		1	1X	RF
233T3232-18		1	1Y	RF
233T3232-19		1	1Z	RF

49-61-52

ILLUSTRATED PARTS LIST
01.1 Page 1015
Nov 01/03

PART NUMBER	AIRLINE PART NO.	FIG.	ITEM	TTL REQ
233T3232-2		1	25	1
		3	40	1
		5	45	1
233T3232-20		1	2	RF
		3	15G	1
233T3232-22		1	2B	RF
		2	1B	RF
		4	15B	1
233T3232-23		5	15A	1
233T3232-3		1	105	1
		3	145	1
233T3232-300		1	1H	RF
		3	1A	RF
233T3232-301		1	1J	RF
		4	1A	RF
233T3232-302		1	1K	RF
		5	1A	RF
233T3232-303		1	1U	RF
		3	1H	RF
233T3232-304		1	1V	RF
		4	1C	RF
233T3232-305		1	1T	RF
		5	1B	RF
233T3232-5		1	1A	RF
		3	15B	1
233T3232-6		1	1B	RF
		3	15C	1
233T3232-9		1	1D	RF
		3	15D	1
233T6200-213		2	115	1
		4	130	1
233T6200-72		1	100	1
		3	130A	1
233T6200-95		1	100A	1
		3	130	1
		5	125	1
280-300001-31		1	98B	8
		3	123A	8
280-30001-31		1	99A	3
		3	125A	3
293162		1	70	2
		2	70	2
		3	85	2
		4	85	2
		5	105	2

49-61-52

 ILLUSTRATED PARTS LIST
 01.1 Page 1016
 Nov 01/03

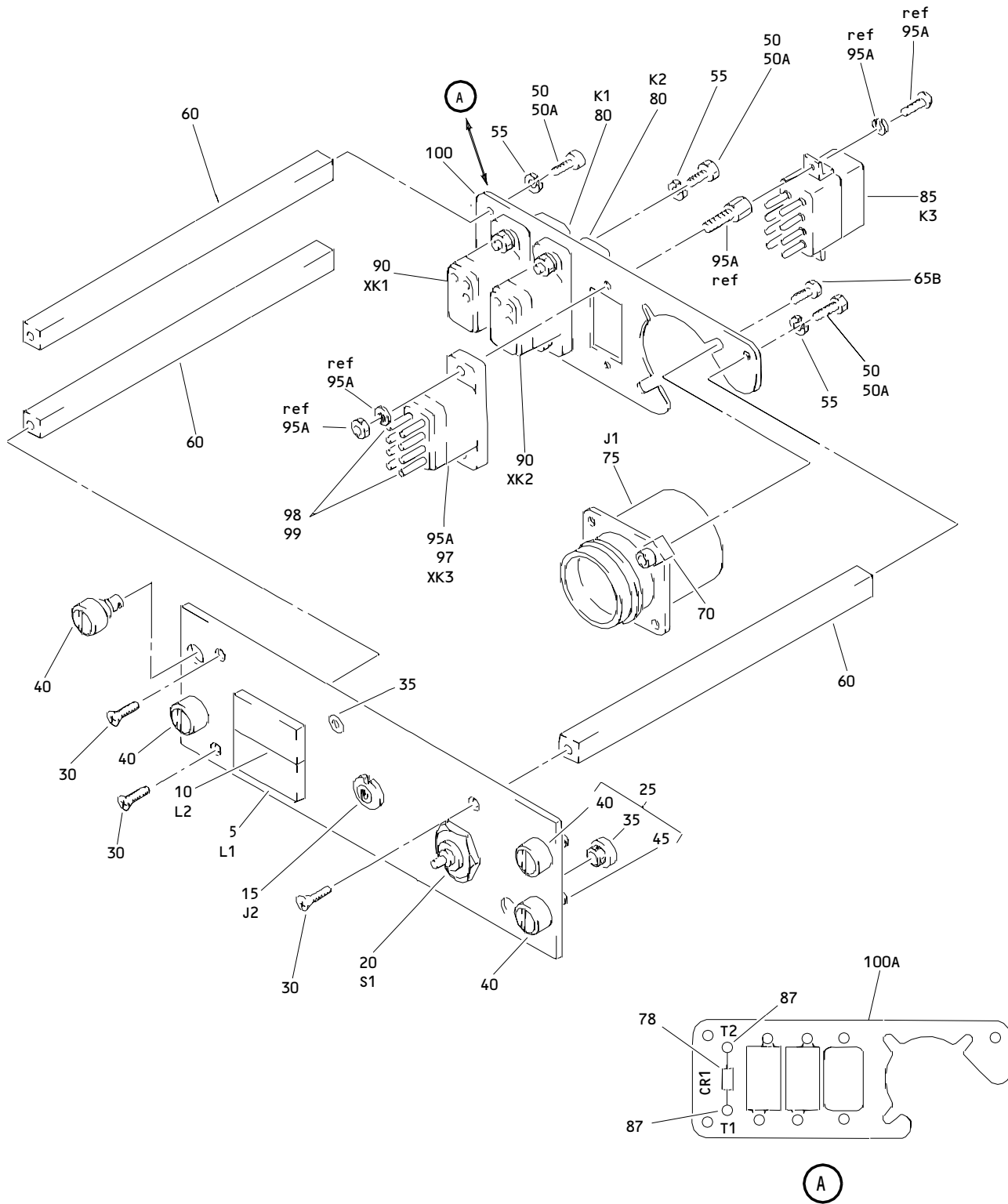
PART NUMBER	AIRLINE PART NO.	FIG.	ITEM	TTL REQ
3SAV1338A2		1	80	2
		2	85	2
		3	100	2
		4	100	2
		5	75	2
316-2020-192		1	99B	3
		3	125B	3
3600-5929		1	20C	1
		2	20A	1
		3	35E	1
		4	35B	1
		5	35A	1
434-674-1005-10		1	5	1
		3	20	1
434-674-1005-11		1	10	1
		3	25	1
434-674-1031-20		1	5A	1
		2	5	1
		3	20A	1
		4	20	1
		5	25	1
434-674-1031-21		1	10A	1
		2	10	1
		3	25A	1
		4	25	1
		5	20	1
4443B9		1	87	2
		2	95	2
		3	110	2
		4	110	2
		5	20	1
451120-026		1	90A	2
		2	100	2
		3	115A	2
		4	115	2
		5	90	2

49-61-52

ILLUSTRATED PARTS LIST
01.1 Page 1017
Nov 01/03

PART NUMBER	AIRLINE PART NO.	FIG.	ITEM	TTL REQ
69B46200-10		1	60	3
		3	75	3
69B46200-11		5	130	3
69B46200-12		1	60C	3
		2	60	3
		3	75A	3
		4	75	3
800-000121-1		5	30A	1
800-002583		3	10A	1
		5	10	1
800000121-1		1	15	1
		2	15	1
		3	30	1
		4	30	1

49-61-52



Auxiliary Power Unit Control Panel Assembly, M1
 Figure 1

49-61-52

ILLUSTRATED PARTS LIST
 01.1 Page 1020
 Nov 01/03

T79838



BOEING
COMPONENT
MAINTENANCE MANUAL

FIG. & ITEM	PART NO.	AIRLINE PART NUMBER	NOMENCLATURE 1234567	EFF CODE	QTY PER ASSY
01- -1	233T3232-1		PANEL ASSY-M1 AUX PWR UNIT CONT (PRE SB 233T3232-49-01) (PRE SB 233T3232-49-02)	A	RF
-1A	233T3232-5		PANEL ASSY-M1 AUX PWR UNIT CONT (PRE SB 233T3232-49-01) (PRE SB 233T3232-49-02)	B	RF
-1B	233T3232-6		PANEL ASSY-M1 AUX PWR UNIT CONT (PRE SB 233T3232-49-01) (PRE SB 233T3232-49-02)	C	RF
-1C	233T3232-7		DELETED		
-1D	233T3232-9		PANEL ASSY-M1 AUX PWR UNIT CONT (POST SB 233T3232-49-01) (PRE SB 233T3232-49-02)	D	RF
-1E	233T3232-11		PANEL ASSY-M1 AUX PWR UNIT CONT (PRE SB 233T3232-49-02)	E	RF
-1F	233T3232-12		PANEL ASSY-M1 AUX PWR UNIT CONT (PRE SB 233T3232-49-02)	F	RF
-1G	233T3232-13		PANEL ASSY-M1 AUX PWR UNIT CONT (PRE SB 233T3232-49-02) (FOR DETAILS SEE FIG. 2)	G	RF
-1H	233T3232-300		PANEL ASSY-M1 AUX PWR UNIT CONT (PRE SB 233T3232-49-02) (FOR DETAILS SEE FIG. 3)	H	RF
-1J	233T3232-301		PANEL ASSY-M1 AUX PWR UNIT CONT (PRE SB 233T3232-49-02) (FOR DETAILS SEE FIG. 4)	J	RF
-1K	233T3232-302		PANEL ASSY-M1 AUX PWR UNIT CONT (PRE SB 233T3232-49-02) (FOR DETAILS SEE FIG. 5)	K	RF
R -1L	233T3100-53		PANEL ASSY-M1 AUX PWR UNIT CONT (FOR DETAILS SEE FIG. 3)	L	RF

49-61-52

ILLUSTRATED PARTS LIST
01.1 Page 1021
Mar 01/04

FIG. & ITEM	PART NO.	AIRLINE PART NUMBER	NOMENCLATURE 1234567	EFF CODE	QTY PER ASSY
R 01- -1M	233T3100-144		PANEL ASSY-M1 AUX PWR UNIT CONT (FOR DETAILS SEE FIG. 3)	M	RF
R -1N	233T3100-149		PANEL ASSY-M1 AUX PWR UNIT CONT (FOR DETAILS SEE FIG. 3)	N	RF
R -1P	233T3100-153		PANEL ASSY-M1 AUX PWR UNIT CONT (FOR DETAILS SEE FIG. 3)	P	RF
R -1Q	233T3100-164		PANEL ASSY-M1 AUX PWR UNIT CONT (FOR DETAILS SEE FIG. 3)	Q	RF
R -1R	233T3100-238		PANEL ASSY-M1 AUX PWR UNIT CONT (FOR DETAILS SEE FIG. 3)	R	RF
R -1S	233T3100-461		PANEL ASSY-M1 AUX PWR UNIT CONT (FOR DETAILS SEE FIG. 4)	S	RF
R -1T	233T3232-305		PANEL ASSY-M1 AUX PWR UNIT CONT (POST SB 233T3232-49-02) (FOR DETAILS SEE FIG. 5)	T	RF
R -1U	233T3232-303		PANEL ASSY-M1 AUX PWR UNIT CONT (ALT FROM 233T3232-300) (POST SB 233T3232-49-02) (FOR DETAILS SEE FIG. 3)	U	RF
R -1V	233T3232-304		PANEL ASSY-M1 AUX PWR UNIT CONT (ALT FROM 233T3232-301) (POST SB 233T3232-49-02) (FOR DETAILS SEE FIG. 4)	V	RF
R -1W	233T3232-16		PANEL ASSY-M1 AUX PWR UNIT CONT (ALT FROM 233T3232-1) (POST SB 233T3232-49-02)	W	RF
R -1X	233T3232-17		PANEL ASSY-M1 AUX PWR UNIT CONT (ALT FROM 233T3232-5) (POST SB 233T3232-49-02)	X	RF

49-61-52

 ILLUSTRATED PARTS LIST
 01.1 Page 1022
 Mar 01/04

BOEING
COMPONENT
MAINTENANCE MANUAL

FIG. & ITEM	PART NO.	AIRLINE PART NUMBER	NOMENCLATURE 1234567	EFF CODE	QTY PER ASSY
R 01- -1Y	233T3232-18		PANEL ASSY-M1 AUX PWR UNIT CONT (ALT FROM 233T3232-6) (POST SB 233T3232-49-02)	Y	RF
R -1Z	233T3232-19		PANEL ASSY-M1 AUX PWR UNIT CONT (ALT FROM 233T3232-9) (POST SB 233T3232-49-02)	Z	RF
R -2	233T3232-20		PANEL ASSY-M1 AUX PWR UNIT CONT (ALT FROM 233T3232-11) (POST SB 233T3232-49-02)	AA	RF
R -2A	233T3232-21		PANEL ASSY-M1 AUX PWR UNIT CONT (ALT FROM 233T3232-12) (POST SB 233T3232-49-02)	AB	RF
R -2B	233T3232-22		PANEL ASSY-M1 AUX PWR UNIT CONT (ALT FROM 233T3232-13) (POST SB 233T3232-49-02) (FOR DETAILS SEE FIG. 2)	AC	RF
5	BCREF6196		.LIGHT ASSY-FAULT IND (V81590) (434-674-1005-1036) (L1) (SPEC S231T300-1036) (ITEM 5 WITH WHITE DOT IDENTIFIER ON CAP ASSY IS OPT TO ITEM 5C)	F,AB	1
-5A	BCREF8532		.LIGHT ASSY-RUN IND (V81590) (434-674-1031-2036) (L1) (SPEC S231T300-2036) (OPT ITEM 5B)	A-E, W-AA	1

49-61-52

ILLUSTRATED PARTS LIST
01.101 Page 1023
Mar 01/04

FIG. & ITEM	PART NO.	AIRLINE PART NUMBER	NOMENCLATURE 1234567	EFF CODE	QTY PER ASSY
01- -5B	BCREF6196		.LIGHT ASSY-FAULT IND (V81590) (434-674-1005-1036) (L1) (SPEC S231T300-1036) (OPT ITEM 5A)	A-E, W-AA	1
-5C	BCREF8532		.LIGHT ASSY-RUN IND (V81590) (434-674-1031-2036) (L1) (SPEC S231T300-2036) (ITEM 5 WITH WHITE DOT IDENTIFIER ON CAP ASSY IS OPT TO ITEM 5C)	F,AB	1
-5F 10	BCREF8437 BCREF6201		DELETED .LIGHT ASSY-RUN IND (V81590) (434-674-1005-1122) (L2) (SPEC S231T300-1122) (ITEM 10 WITH WHITE DOT IDENTIFIER ON CAP ASSY IS OPT TO ITEM 10C)	F,AB	1
-10A	BCREF8552		.LIGHT ASSY-FAULT IND (V81590) (434-674-1031-2122) (L2) (SPEC S231T300-2122) (OPT ITEM 10B)	A-E, W-AA	1
-10B	BCREF6201		.LIGHT ASSY-RUN IND (V81590) (434-674-1005-1122) (L2) (SPEC S231T300-1122) (OPT ITEM 10A)	A-E, W-AA	1
-10C	BCREF8552		.LIGHT ASSY-FAULT IND (V81590) (434-674-1031-2122) (L2) (SPEC S231T300-2122) (ITEM 10 WITH WHITE DOT IDENTIFIER ON CAP ASSY IS OPT TO ITEM 10C)	F,AB	1
-10F	BCREF8436		DELETED		

49-61-52

 ILLUSTRATED PARTS LIST
 01.101 Page 1024
 Mar 01/04

BOEING
COMPONENT
MAINTENANCE MANUAL

FIG. & ITEM	PART NO.	AIRLINE PART NUMBER	NOMENCLATURE 1234567	EFF CODE	QTY PER ASSY
01-15	800000121-1		.CONNECTOR- (V05617) (J2)	A-F, W-AB	1
20	AC45-0003-2		.SWITCH-ROTARY (V91812) (S1) (PRE SB 233T3232-49-02)	A	1
-20A	AC45-0003-3		.SWITCH-ROTARY (V91812) (S1) (OPT ITEM 20B) (PRE SB 233T3232-49-02)	B-F	1
-20B	AC45-0003-4		.SWITCH-ROTARY (V91812) (S1) (OPT ITEM 20A) (PRE SB 233T3232-49-02)	B-F	1
R -20C	3600-5929		.SWITCH-ROTARY (V31946) (S1) (POST SB 233T3232-49-02)	W-AB	1
25	233T3232-2		.BASEPLATE ASSY	A-F, W-AB	1
30	NAS514P632-5		ATTACHING PARTS .SCREW	A-F, W-AB	3
35	SF6G6CBB5D		-----*----- ..NUT-PRESS (V12324) (SPEC BACN10PA06-6)	A-F, W-AB	2
40	DBMB1400-6A1		..STUD ASSY- (V08524) (SPEC BACS21DD1B)	A-F, W-AB	4

49-61-52

ILLUSTRATED PARTS LIST
01.101 Page 1025
Mar 01/04

FIG. & ITEM	PART NO.	AIRLINE PART NUMBER	NOMENCLATURE 1234567	EFF CODE	QTY PER ASSY
01-45	BACP10U0187N		.BASEPLATE	A-F, W-AB	1
50	BACS12CB06-5		.SCREW	A-C, W-Y	3
-50A	NAS1801-06-5		.SCREW	D-F, Z-AB	3
55	MS35338-41		.WASHER	A-F, W-AB	3
60	69B46200-10		.STANDOFF	A-C, W-Y	3
-60A	69B46200-10		DELETED		
-60B	69B46200-12		DELETED		
-60C	69B46200-12		.STANDOFF	D-F, Z-AB	3
65	BAS12CB04-5		DELETED		
65A	BACS12CB04-5		DELETED		
65B	NAS1801-04-5		.SCREW	A-F, W-AB	2
70	K19798-04		.NUT- (V15653) (SPEC BACN10NW1) (OPT RMA4812-160-40 (V72962)) (OPT 293162 (V60119))	A-F, W-AB	2
75	BACC45FN18-31P6		.CONNECTOR- (J1)	A-F, W-AB	1
78	JANTX1N5618		.DIODE- (CR1)	D-F, Z-AB	1
80	3SAV1338A2		.RELAY- (V01526) (SPEC BACR13CD2) (OPT BR16S233 (V09026)) (OPT EE4AA005 (V35344)) (OPT HFW1206K03 (V58614)) (OPT HFW1204K01 (V71482)) (OPT HFW1204K01 (V71482)) (K1, K2)	A-F, W-AB	2

49-61-52

 ILLUSTRATED PARTS LIST
 01.1 Page 1026
 Nov 01/03

 **BOEING**
COMPONENT
MAINTENANCE MANUAL

FIG. & ITEM	PART NO.	AIRLINE PART NUMBER	NOMENCLATURE 1234567	EFF CODE	QTY PER ASSY
01-85	TDH1798-1000		.RELAY-TIME DELAY (STATIC SENSITIVE PART) (V58657) (K3)	A-F, W-AB	1
87	4443B9		.TERMINAL- (V88245) (T1, T2)	D-F, Z-AB	2
90	HRTS17KM		.SOCKET-RELAY (V91663) (XK1, XK2) (OPT ITEM 90A)	A-F, W-AB	2
-90A	451120-026		.SOCKET-RELAY (V03743) (SPEC BACS16AG1) (OPT 451120-026 (V58982)) (XK1, XK2) (OPT ITEM 90)	A-F, W-AB	2
95	S01064-001		DELETED		
95A	S0-1064-001		.SOCKET- (V35344) (XK3)	A,B,W,X	1
97	S0-1064-007		.SOCKET- (V35344) (XK3)	C-F, Y-AB	1
98	M39029-22-192		.CONTACT- (OPT ITEM 98B)	C,D,Y,Z	8
-98A	280-30001-31		DELETED		
-98B	CTSS20-20		.PIN-CONTACT (V11139) (SPEC 280-300001-31) (OPT ITEM 98)	C,D,Y,Z	8
-98C	316-2020-192		DELETED		
-98D	M39029-22-192		DELETED		

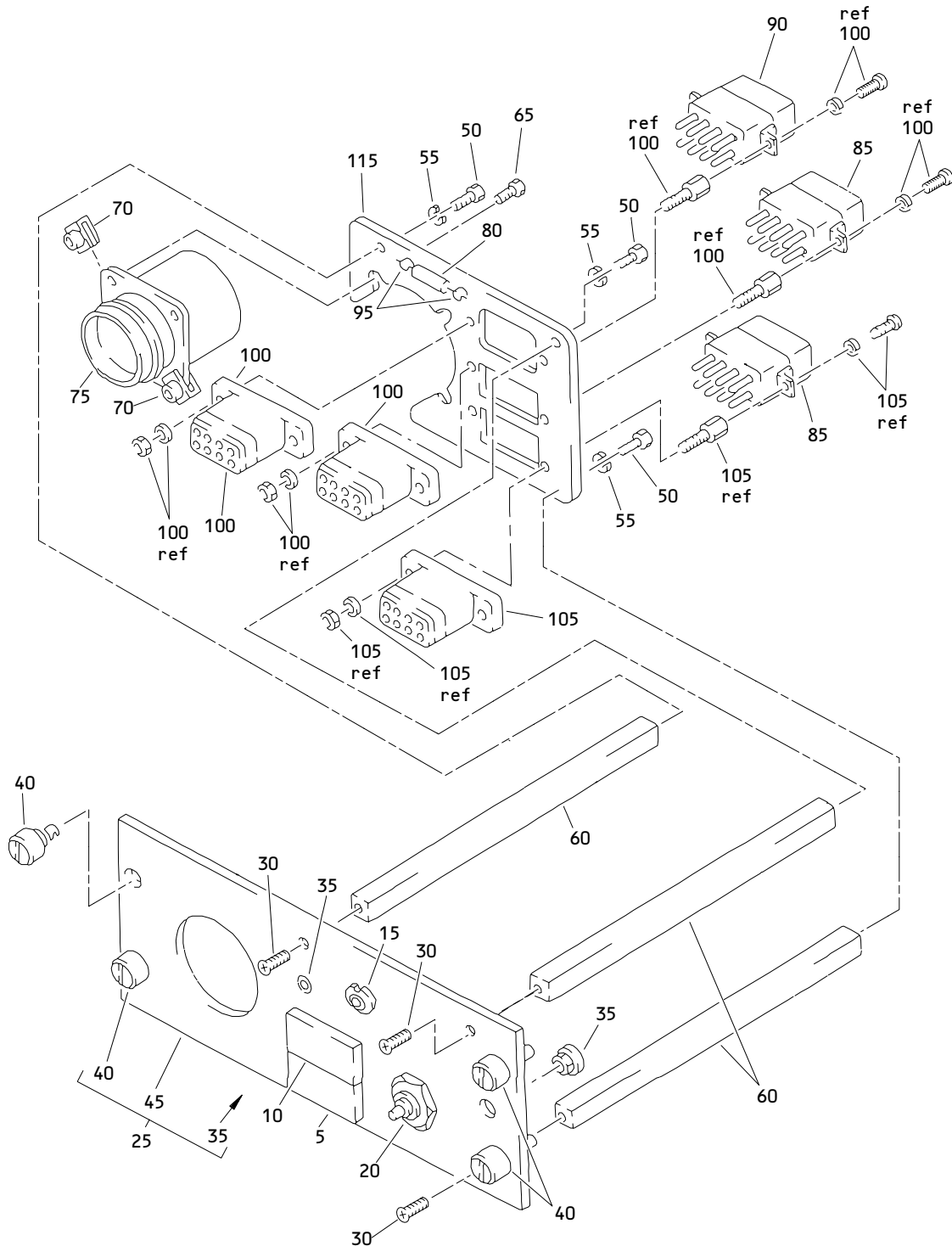
49-61-52

FIG. & ITEM	PART NO.	AIRLINE PART NUMBER	NOMENCLATURE 1234567	EFF CODE	QTY PER ASSY
01-99	M39029-22-192		.CONTACT- (OPT ITEMS 99A, 99B)	E,F,A A,AB	3
-99A	CTSS20-20		.PIN-CONTACT (V11139) (SPEC 280-30001-31) (OPT ITEMS 99, 99B)	E,F,A A,AB	3
-99B	316-2020-192		.CONTACT- (V55104) (OPT ITEMS 99, 99A)	E,F,A A,AB	3
100	233T6200-72		.BRACKET-SPRT	A-C, W-Y	1
100A	233T6200-95		.BRACKET-SPRT	D-F, Z-AB	1
-105	233T3232-3		.WIRE BUNDLE ASSY	A-C, W-Y	1
R -110	M39029-1-16-20		..CONTACT-PIN (V95266)	A-C, W-Y	15
115	BAC27TEX2		DELETED		
-115A	233T3232-8		DELETED		
-115B	233T3232-10		.WIRE BUNDLE ASSY	D-F, Z-AB	1
-120	M39029-1-16-20		DELETED		
R -120A	M39029-1-101		..CONTACT	D-F, Z-AB	16

- Item Not Illustrated

49-61-52

 ILLUSTRATED PARTS LIST
 01.1 Page 1028
 Nov 01/03



Auxiliary Power Unit Control Panel Assembly, M1
 Figure 2

49-61-52

ILLUSTRATED PARTS LIST
 01.1 Page 1030
 Nov 01/03

BOEING
COMPONENT
MAINTENANCE MANUAL

FIG. & ITEM	PART NO.	AIRLINE PART NUMBER	NOMENCLATURE 1234567	EFF CODE	QTY PER ASSY
02- -1A	233T3232-13		PANEL ASSY-M1 AUX PWR UNIT CONT (PRE SB 233T3232-49-02)	G	RF
R -1B	233T3232-22		PANEL ASSY-M1 AUX PWR UNIT CONT (ALT FROM 233T3232-13) (POST SB 233T3232-49-02)	AC	RF
5	BCREF8532		.LIGHT ASSY-RUN IND (V81590) (434-674-1031-2036) (L1) (SPEC S231T300-2036)	G,AC	1
10	BCREF8552		.LIGHT ASSY-FAULT IND (V81590) (434-674-1031-2122) (L2) (SPEC S231T300-2122)	G,AC	1
15	800000121-1		.CONNECTOR- (V05617) (J2)	G,AC	1
20	AC45-0003-4		.SWITCH-ROTARY (V91812) (S1) (PRE SB 233T3232-49-02)	G	1
R -20A	3600-5929		.SWITCH-ROTARY (V31946) (S1) (POST SB 233T3232-49-02)	AC	1
25	233T3232-14		.BASEPLATE ASSY ATTACHING PARTS	G,AC	1

49-61-52

ILLUSTRATED PARTS LIST
01.1 Page 1031
Nov 01/03

FIG. & ITEM	PART NO.	AIRLINE PART NUMBER	NOMENCLATURE 1234567	EFF CODE	QTY PER ASSY
02-30	FH6C6CPL12BN		.SCREW- (V12324) -----*	G,AC	3
35	SF6G6CBB5D		..NUT-PRESS (V12324) (SPEC BACN10PA06-6)	G,AC	2
40	PFSC35-38ASEMB		..STUD- (V72794) (SPEC BACS21DX1B)	G,AC	4
45	BACP10U0225N		..BASEPLATE	G,AC	1
50	MS51957-27		.SCREW	G,AC	3
55	MS353338-136		.WASHER	G,AC	3
60	69B46200-12		.STANDOFF	G,AC	3
65	MS51957-14		.SCREW	G,AC	2
70	K19798-04		.NUT- (V15653) (SPEC BACN10NW1) (OPT RMA4812-160-40 (V72962)) (OPT 293162 (V60119))	G,AC	2
75	BACC45FN18-31P6		.CONNECTOR- (J1)	G,AC	1
80	JANTX1N5618		.DIODE- (CR1)	G,AC	1
85	3SAV1338A2		.RELAY- (V01526) (SPEC BACR13CD2) (OPT BR16S233 (V09026)) (OPT EE4AA005 (V35344)) (OPT HFW1206K03 (V58614)) (OPT HFW1204K01 (V71482)) (OPT HFW1204K01 (V71482)) (K1, K2)	G,AC	2

49-61-52

 ILLUSTRATED PARTS LIST
 01.1 Page 1032
 Nov 01/03

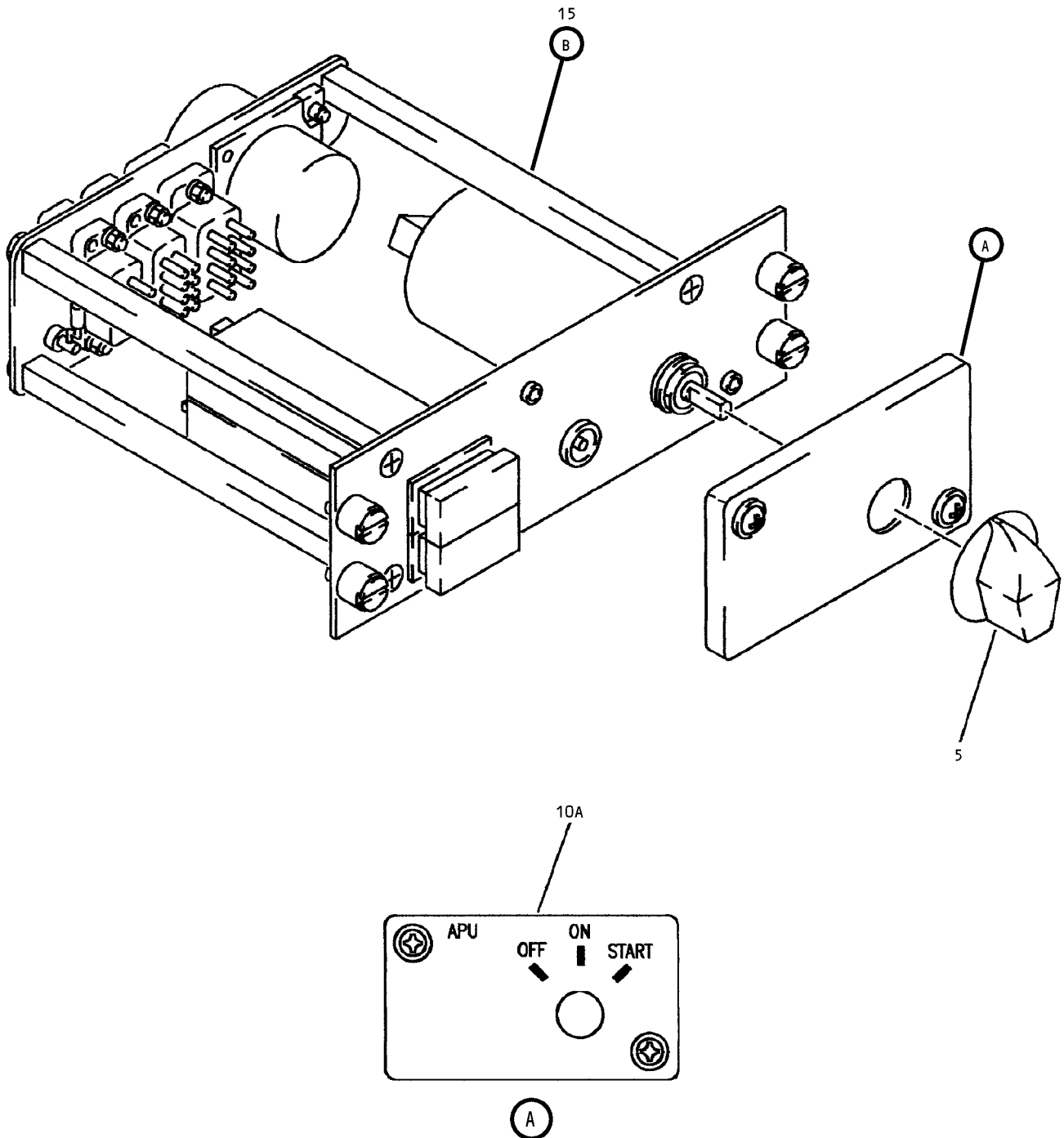
 **BOEING**
COMPONENT
MAINTENANCE MANUAL

FIG. & ITEM	PART NO.	AIRLINE PART NUMBER	NOMENCLATURE 1234567	EFF CODE	QTY PER ASSY
02-90	TDH1798-1000		.RELAY-TIME DELAY (STATIC SENSITIVE PART) (V58657) (K3)	G,AC	1
95	4443B9		.TERMINAL- (V88245) (T1, T2)	G,AC	2
100	RSE120026		.SOCKET-RELAY (V58982) (SPEC BACS16AG1) (OPT 451120-026 (V58982)) (XK1, XK2)	G,AC	2
105	S0-1064-007		.SOCKET- (V35344) (XK3)	G,AC	1
110	M39029-22-192		.CONTACT	G,AC	3
115	233T6200-213		.BRACKET-SPRT	G,AC	1
-120	233T3232-10		.WIRE BUNDLE ASSY	G,AC	1
-125	M39029-1-101		..CONTACT	G,AC	16

- Item Not Illustrated

49-61-52

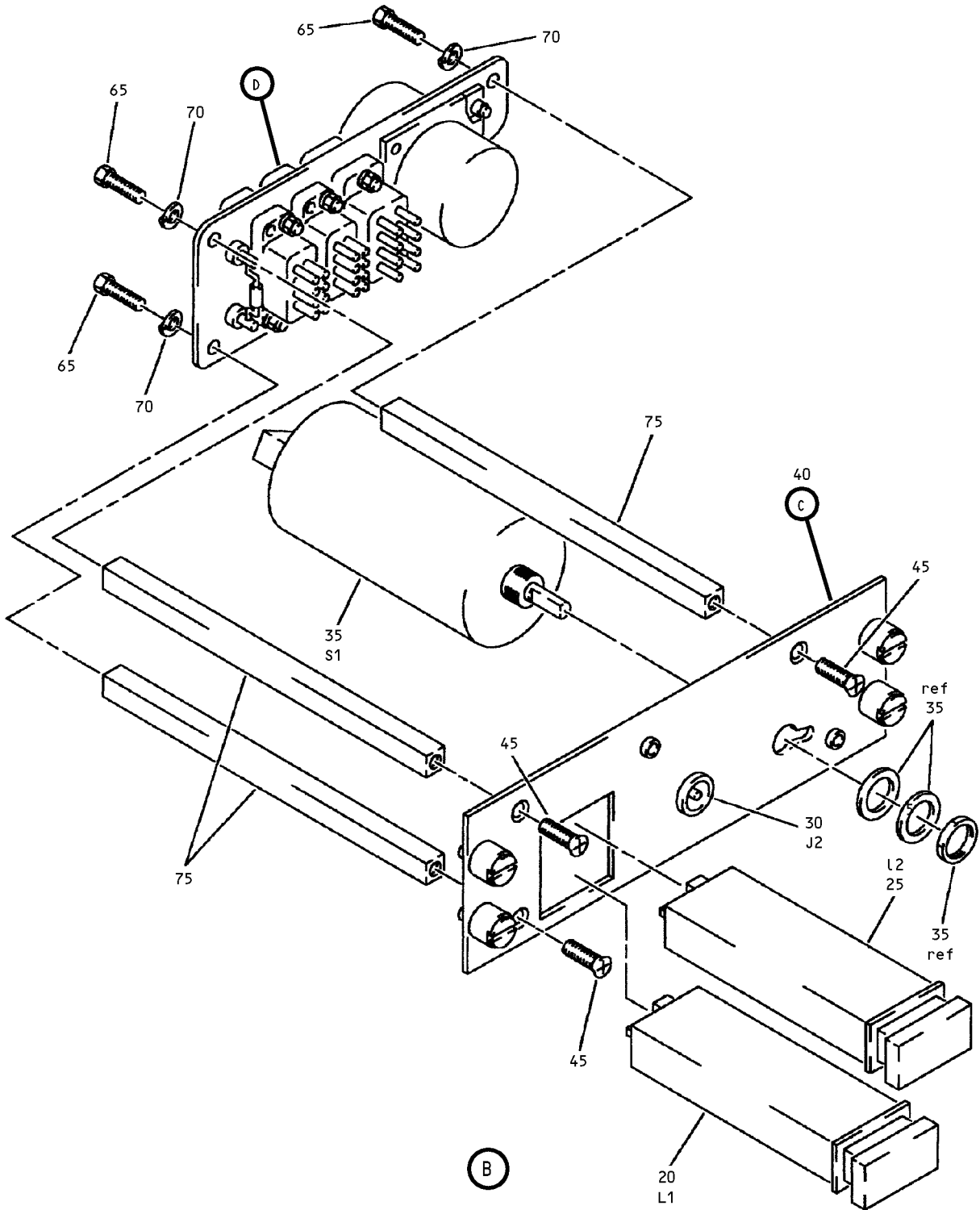
ILLUSTRATED PARTS LIST
01.1 Page 1033
Nov 01/03



Auxiliary Power Unit Control Panel Assembly, M1
Figure 3 (Sheet 1)

49-61-52

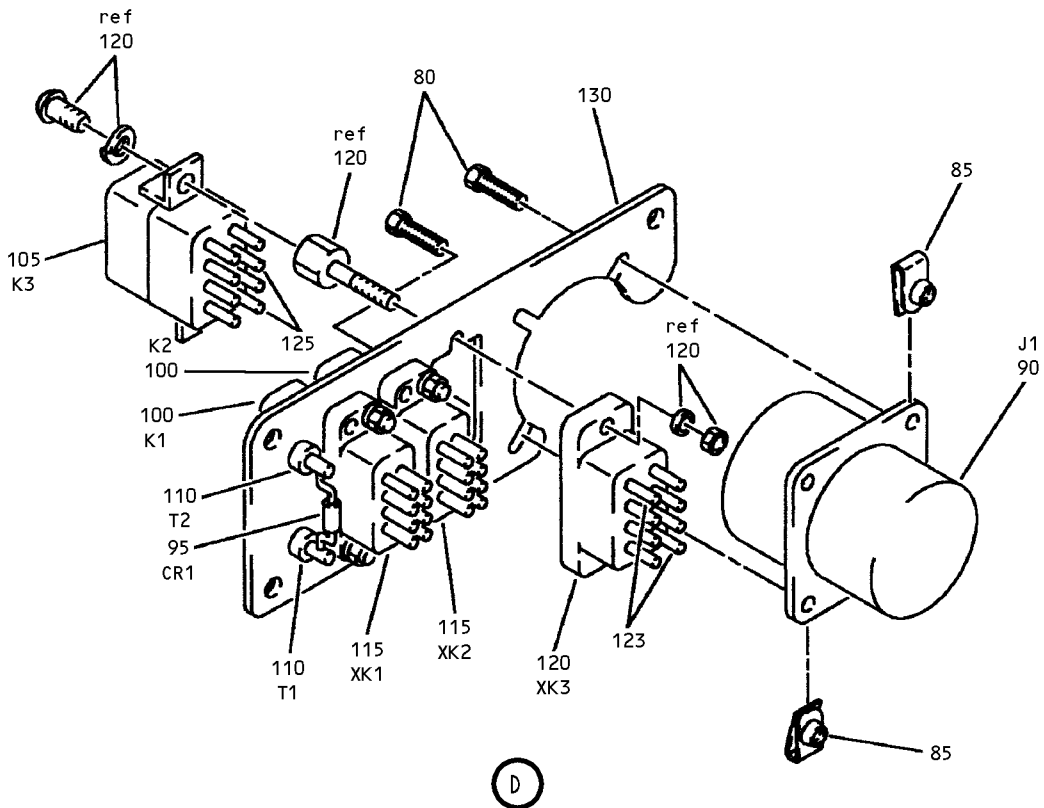
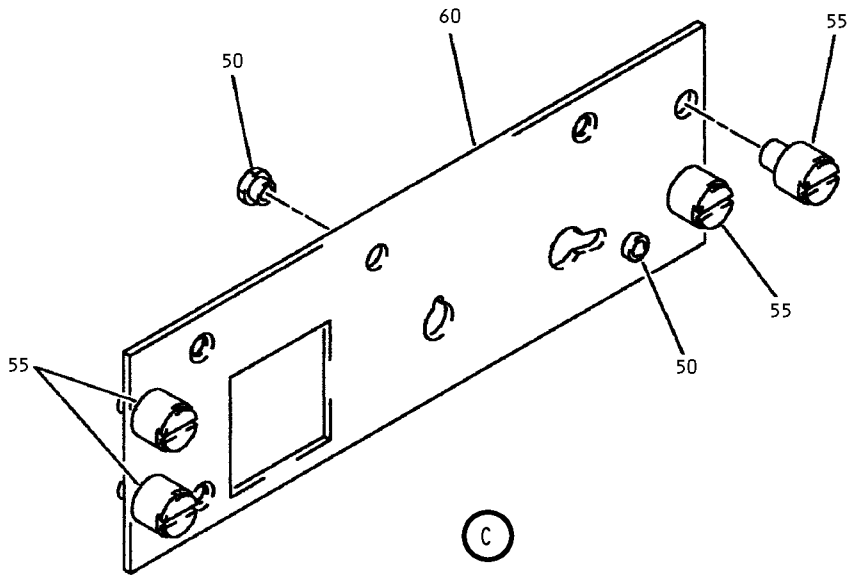
ILLUSTRATED PARTS LIST
01.1 Page 1034
Nov 01/03



Auxiliary Power Unit Control Panel Assembly, M1
Figure 3 (Sheet 2)

49-61-52

ILLUSTRATED PARTS LIST
01.1 Page 1035
Nov 01/03



Auxiliary Power Unit Control Panel Assembly, M1
 Figure 3 (Sheet 3)

49-61-52

ILLUSTRATED PARTS LIST
 01.1 Page 1036
 Nov 01/03

BOEING
COMPONENT
MAINTENANCE MANUAL

FIG. & ITEM	PART NO.	AIRLINE PART NUMBER	NOMENCLATURE 1234567	EFF CODE	QTY PER ASSY
03- -1A	233T3232-300		PANEL ASSY-M1 AUX PWR UNIT CONT (PRE SB 233T3232-49-02)	H	RF
R -1B	233T3100-53		PANEL ASSY-M1 AUX PWR UNIT START	L	RF
R -1C	233T3100-144		PANEL ASSY-M1 AUX PWR UNIT START	M	RF
R -1D	233T3100-149		PANEL ASSY-M1 AUX PWR UNIT START	N	RF
R -1E	233T3100-153		PANEL ASSY-M1 AUX PWR UNIT START	P	RF
R -1F	233T3100-164		PANEL ASSY-M1 AUX PWR UNIT START	Q	RF
R -1G	233T3100-238		PANEL ASSY-M1 AUX PWR UNIT START	R	RF
R -1H	233T3232-303		PANEL ASSY-M1 AUX PWR UNIT START (ALT FROM 233T3232-300) (POST SB 233T3232-49-02)	U	RF
5	BP248-127		.KNOB- (V15084)	H,U	1
R -5A	BP248-110		.KNOB- (V15084)	L-R	1
10	S233T100-6025		DELETED		
R 10A	800-002583		.LIGHTPLATE- (V05617) (SPEC S233T100-6025) (OPT S233T100-6025 (V51896))	H,L-R ,U	1
15	233T3232-12		.PANEL ASSY	R	1
R -15A	233T3232-1		.PANEL ASSY	L	1
R -15B	233T3232-5		.PANEL ASSY	M	1
R -15C	233T3232-6		.PANEL ASSY	N	1
R -15D	233T3232-9		.PANEL ASSY	P	1
R -15E	233T3232-11		.PANEL ASSY	Q	1
R -15F	233T3232-12		.PANEL ASSY- (PRE SB 233T3232-49-02)	H	1
R -15G	233T3232-21		.PANEL ASSY- (POST SB 233T3232-49-02)	U	1

49-61-52

ILLUSTRATED PARTS LIST
01.1 Page 1037
Mar 01/04

FIG. & ITEM	PART NO.	AIRLINE PART NUMBER	NOMENCLATURE 1234567	EFF CODE	QTY PER ASSY
03-20	BCREF6196		..LIGHT ASSY-FAULT IND (V81590) (434-674-1005-1036) (L1) (SPEC S231T300-1036) (OPT ITEM 20A)	L-Q	1
-20A	BCREF8532		..LIGHT ASSY-RUN IND (V81590) (434-674-1031-2036) (L1) (SPEC S231T300-2036) (OPT ITEM 20)	L-Q	1
R -20B	BCREF6196		..LIGHT ASSY-FAULT IND (V81590) (434-674-1005-1036) (L1) (SPEC S231T300-1036) (ITEM 20B WITH WHITE DOT IDENTIFIER ON CAP ASSY IS OPT TO ITEM 20C)	H,R,U	1
R -20C	BCREF8532		..LIGHT ASSY-FAULT IND (V81590) (434-674-1031-2036) (L1) (SPEC S231T300-2036) (ITEM 20B WITH WHITE DOT IDENTIFIER ON CAP ASSY IS OPT TO ITEM 20C)	H,R,U	1
25	BCREF6201		..LIGHT ASSY-RUN IND (V81590) (434-674-1005-1122) (L2) (SPEC S231T300-1122) (OPT ITEM 25A)	L-Q	1
-25A	BCREF8552		..LIGHT ASSY-FAULT IND (V81590) (434-674-1031-2122) (L2) (SPEC S231T300-2122) (OPT ITEM 25)	L-Q	1

49-61-52

 ILLUSTRATED PARTS LIST
 01.1 Page 1038
 Mar 01/04

 **BOEING**
COMPONENT
MAINTENANCE MANUAL

FIG. & ITEM	PART NO.	AIRLINE PART NUMBER	NOMENCLATURE 1234567	EFF CODE	QTY PER ASSY
R 03-25B	BCREF6201		..LIGHT ASSY-RUN IND (V81590) (434-674-1005-1122) (L2) (SPEC S231T300-1122) (ITEM 25B WITH WHITE DOT IDENTIFIER ON CAP ASSY IS OPT TO ITEM 25C)	H,R,U	1
R -25C	BCREF8552		..LIGHT ASSY-RUN IND (V81590) (434-674-1031-2122) (L2) (SPEC S231T300-2122) (ITEM 25B WITH WHITE DOT IDENTIFIER ON CAP ASSY IS OPT TO ITEM 25C)	H,R,U	1
30	800000121-1		..CONNECTOR- (V05617) (J2)	H,L-R,U	1
35	AC45-0003-3		..SWITCH-ROTARY (V91812) (S1) (OPT ITEM 35A)	M-R	1
-35A	AC45-0003-4		..SWITCH-ROTARY (V91812) (S1) (OPT ITEM 35)	M-R	1
R -35B	AC45-0003-2		..SWITCH-ROTARY (V91812) (S1)	L	1
R -35C	AC45-0003-3		..SWITCH-ROTARY (V91812) (S1) (OPT ITEM 35D) (PRE SB 233T3232-49-02)	H	1
R -35D	AC45-0003-4		..SWITCH-ROTARY (V91812) (S1) (OPT ITEM 35C) (PRE SB 233T3232-49-02)	H	1
R -35	3600-5929		..SWITCH-ROTARY (V31946) (S1) (POST SB 233T3232-49-02)	U	1

49-61-52

ILLUSTRATED PARTS LIST
01.1 Page 1039
Mar 01/04

FIG. & ITEM	PART NO.	AIRLINE PART NUMBER	NOMENCLATURE 1234567	EFF CODE	QTY PER ASSY
03-40	233T3232-2		..BASEPLATE ASSY	H,L-R ,U	1
			ATTACHING PARTS		
45	NAS514P632-5		..SCREW	H,L-R ,U	3
			-----*-----		
50	SF6G6CBB5D		...NUT- (V12324) (SPEC BACN10PA06-6)	H,L-R ,U	2
55	DBMB1400-6A1		...STUD ASSY- (V08524) (SPEC BACS21DD1B)	H,L-R ,U	4
60	BACP10U0187N		...BASEPLATE	H,L-R ,U	1
65	NAS1801-06-5		..SCREW	H,L-R ,U	3
70	MS35338-41		..WASHER	H,L-R ,U	3
75	69B46200-10		..STANDOFF	H,L-N ,U	3
-75A	69B46200-12		..STANDOFF	H,P-R ,U	3
80	NAS1801-04-5		..SCREW	H,L-R ,U	2
85	K19798-04		..NUT- (V15653) (SPEC BACN10NW1) (OPT RMA4812-160-40 (V72962)) (OPT 293162 (V60119))	H,L-R ,U	2

49-61-52

 ILLUSTRATED PARTS LIST
 01.1 Page 1040
 Nov 01/03

 **BOEING**
COMPONENT
MAINTENANCE MANUAL

FIG. & ITEM	PART NO.	AIRLINE PART NUMBER	NOMENCLATURE 1234567	EFF CODE	QTY PER ASSY
03-90	BACC45FN18-31P6		..CONNECTOR- (J1)	H,L-R ,U	1
95	JANTX1N5618		..DIODE- (CR1)	H,P-R ,U	1
100	3SAV1338A2		..RELAY- (V01526) (SPEC BACR13CD2) (OPT BR16S233 (V09026)) (OPT EE4AA005 (V35344)) (OPT HFW1206K03 (V58614)) (OPT HFW1204K01 (V71482)) (OPT HFW1204K01 (V71482)) (K1, K2)	H,L-R ,U	2
105	TDH1798-1000		..RELAY-TIME DELAY (STATIC SENSITIVE PART) (V58657) (K3)	H,L-R ,U	1
110	4443B9		..TERMINAL- (V88245) (T1, T2)	H,L-R ,U	2
115	HRTS17KM		..SOCKET-RELAY (V91663) (XK1, XK2) (OPT ITEM 115A)	H,L-R ,U	2
-115A	RSE120026		..SOCKET-RELAY (V58982) (SPEC BACS16AG1) (OPT 451120-026 (V58982)) (XK1, XK2) (OPT ITEM 115)	H,L-R ,U	2

49-61-52

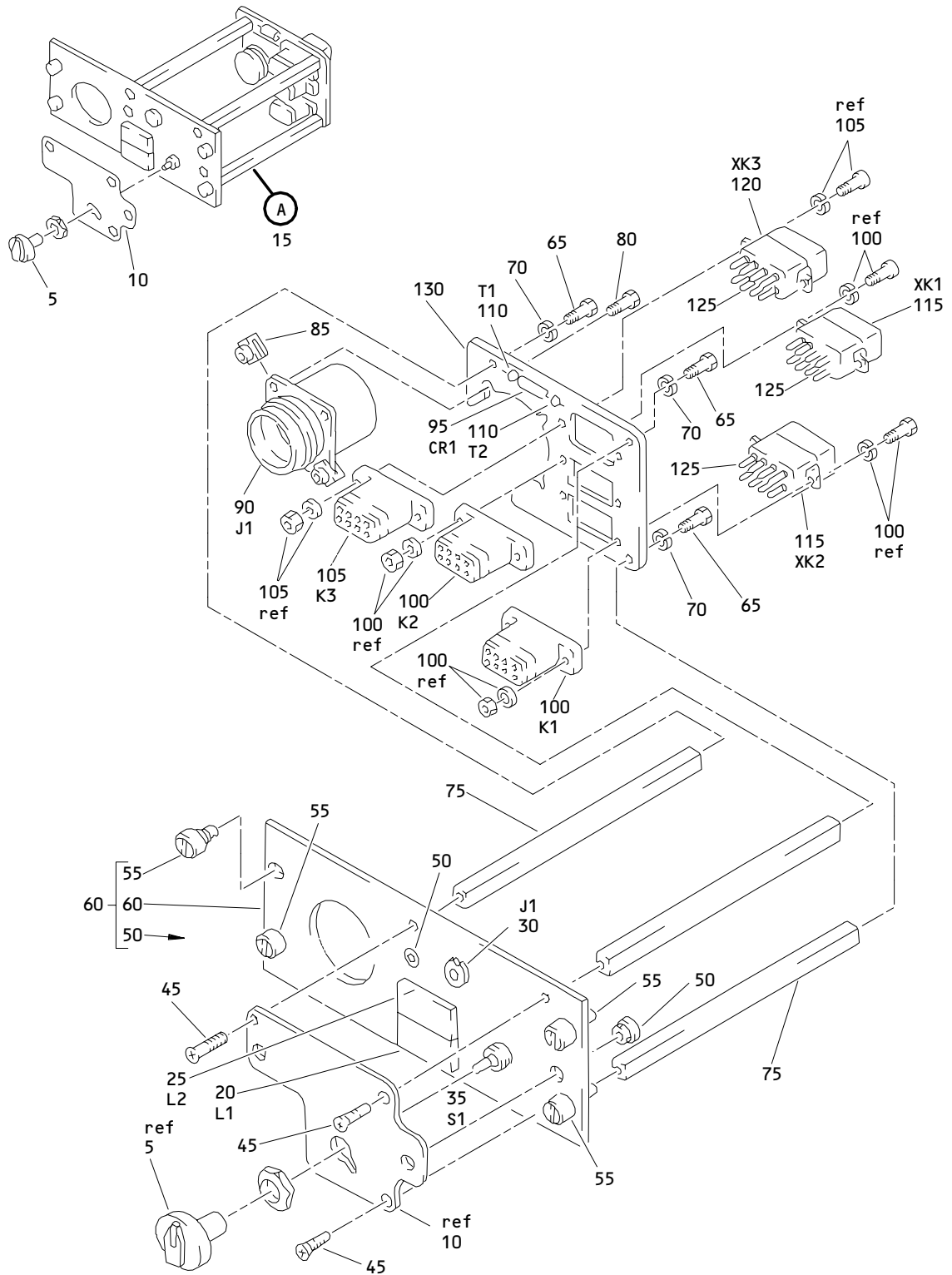
ILLUSTRATED PARTS LIST
01.1 Page 1041
Nov 01/03

FIG. & ITEM	PART NO.	AIRLINE PART NUMBER	NOMENCLATURE 1234567	EFF CODE	QTY PER ASSY
03-120	S0-1064-007		..SOCKET- (V35344) (XK3)	H,N-R ,U	1
R -120A	S0-1064-001		..SOCKET- (V35344) (XK3)	L,M	1
R 123	M39029-22-192		..CONTACT- (OPT ITEM 123A)	N,P	8
R -123A	CTSS20-20		..PIN-CONTACT (V11139) (SPEC 280-30001-31) (OPT ITEM 123)	N,P	8
125	M39029-22-192		..CONTACT- (OPT ITEMS 125A, 125B)	H,Q,R ,U	3
-125A	CTSS20-20		..PIN-CONTACT (V11139) (SPEC 280-30001-31) (OPT ITEMS 125, 125B)	H,Q,R ,U	3
-125B	316-2020-192		..CONTACT- (V55104) (OPT ITEMS 125, 125A)	H,Q,R ,U	3
130	233T6200-95		..BRACKET-SPRT	H,P-R ,U	1
R -130A	233T6200-72		..BRACKET-SPRT	L-N	1
-135	233T3232-10		..WIRE BUNDLE ASSY	H,P-R ,U	1
-140	M39029-1-16-20		DELETED		
-140A	M39029-1-101		...CONTACT	H,P-R ,U	16
R -145	233T3232-3		..WIRE BUNDLE ASSY	L-N	1
R -150	M39029-1-16-20		...CONTACT-PIN (V95266)	L-N	15

- Item Not Illustrated

49-61-52

 ILLUSTRATED PARTS LIST
 01.1 Page 1042
 Nov 01/03



Auxiliary Power Unit Control Panel Assembly, M1
 Figure 4

49-61-52

ILLUSTRATED PARTS LIST
 01.1 Page 1044
 Nov 01/03

BOEING
COMPONENT
MAINTENANCE MANUAL

FIG. & ITEM	PART NO.	AIRLINE PART NUMBER	NOMENCLATURE 1234567	EFF CODE	QTY PER ASSY
04- -1A	233T3232-301		PANEL ASSY-M1 AUX PWR UNIT CONT (PRE SB 233T3232-49-02)	J	RF
R -1B	233T3100-461		PANEL ASSY-M1 AUX PWR UNIT CONT	S	RF
R -1C	233T3232-304		PANEL ASSY-M1 AUX PWR UNIT CONT (ALT FROM 233T3232-301) (POST SB 233T3232-49-02)	V	RF
5	BP248-127		.KNOB- (V15084)	J,S,V	1
10	S233T100-1115		.LIGHTPLATE- (V51896) (OPT (V05617), (V98140)) (SPEC S233T100-1115)	J,S,V	1
15	233T3232-13		.PANEL ASSY	S	1
R -15A	233T3232-13		.PANEL ASSY- (PRE SB 233T3232-49-02)	J	1
R -15B	233T3232-22		.PANEL ASSY- (POST SB 233T3232-49-02)	V	1
20	BCREF8532		..LIGHT ASSY-RUN IND (V81590) (434-674-1031-2036) (L1) (SPEC S231T300-2036)	J,S,V	1
25	BCREF8552		..LIGHT ASSY-FAULT IND (V81590) (434-674-1031-2122) (L2) (SPEC S231T300-2122)	J,S,V	1
30	800000121-1		..CONNECTOR- (V05617) (J2)	J,S,V	1
35	AC45-0003-4		..SWITCH-ROTARY (V91812) (S1)	S	1
R -35A	AC45-0003-4		..SWITCH-ROTARY (V91812) (S1) (PRE SB 233T3232-49-02)	J	1
R -35B	3600-5929		..SWITCH-ROTARY (V31946) (S1) (POST SB 233T3232-49-02)	V	1

49-61-52

FIG. & ITEM	PART NO.	AIRLINE PART NUMBER	NOMENCLATURE 1234567	EFF CODE	QTY PER ASSY
04-40	233T3232-14		..BASEPLATE ASSY ATTACHING PARTS	J,S,V	1
45	FH6C6CPL12BN		..SCREW- (V12324) -----*	J,S,V	3
50	SF6G6CBB5D		...NUT- (V12324) (SPEC BACN10PA06-6)	J,S,V	2
55	PFSC35-38ASEMB		...STUD- (V72794) (SPEC BACS21DX1B)	J,S,V	4
60	BACP10U0225N		...BASEPLATE	J,S,V	1
65	MS51957-27		..SCREW	J,S,V	3
70	MS353338-136		..WASHER	J,S,V	3
75	69B46200-12		..STANDOFF	J,S,V	3
80	MS51957-14		..SCREW	J,S,V	2
85	K19798-04		..NUT- (V15653) (SPEC BACN10NW1) (OPT RMA4812-160-40 (V72962)) (OPT 293162 (V60119))	J,S,V	2
90	BACC45FN18-31P6		..CONNECTOR- (J1)	J,S,V	1
95	JANTX1N5618		..DIODE- (CR1)	J,S,V	1
100	3SAV1338A2		..RELAY- (V01526) (SPEC BACR13CD2) (OPT BR16S233 (V09026)) (OPT EE4AA005 (V35344)) (OPT HFW1206K03 (V58614)) (OPT HFW1204K01 (V71482)) (OPT HFW1204K01 (V71482)) (K1, K2)	J,S,V	2

49-61-52

 ILLUSTRATED PARTS LIST
 01.1 Page 1046
 Nov 01/03

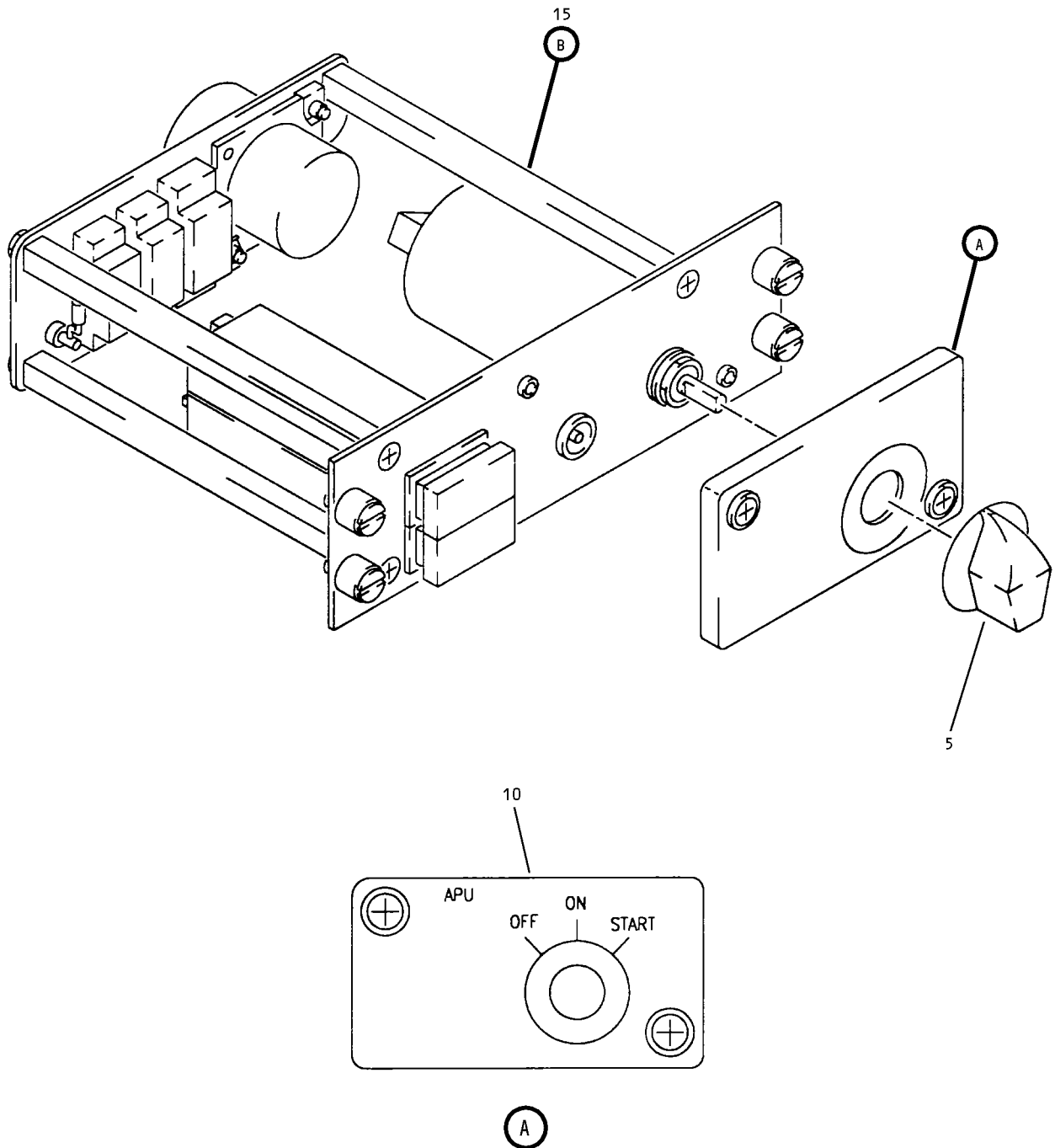
 **BOEING**
COMPONENT
MAINTENANCE MANUAL

FIG. & ITEM	PART NO.	AIRLINE PART NUMBER	NOMENCLATURE 1234567	EFF CODE	QTY PER ASSY
04-105	TDH1798-1000		..RELAY-TIME DELAY (STATIC SENSITIVE PART) (V58657) (K3)	J,S,V	1
110	4443B9		..TERMINAL- (V88245) (T1, T2)	J,S,V	2
115	RSE120026		..SOCKET-RELAY (V58982) (SPEC BACS16AG1) (OPT 451120-026 (V58982)) (XK1, XK2)	J,S,V	2
120	S0-1064-007		..SOCKET- (V35344) (XK3)	J,S,V	1
125	M39029-22-192		..CONTACT	J,S,V	3
130	233T6200-213		..BRACKET-SPRT	J,S,V	1
-135	233T3232-10		..WIRE BUNDLE ASSY	J,S,V	1
-140	M39029-1-101		...CONTACT	J,S,V	16

- Item Not Illustrated

49-61-52

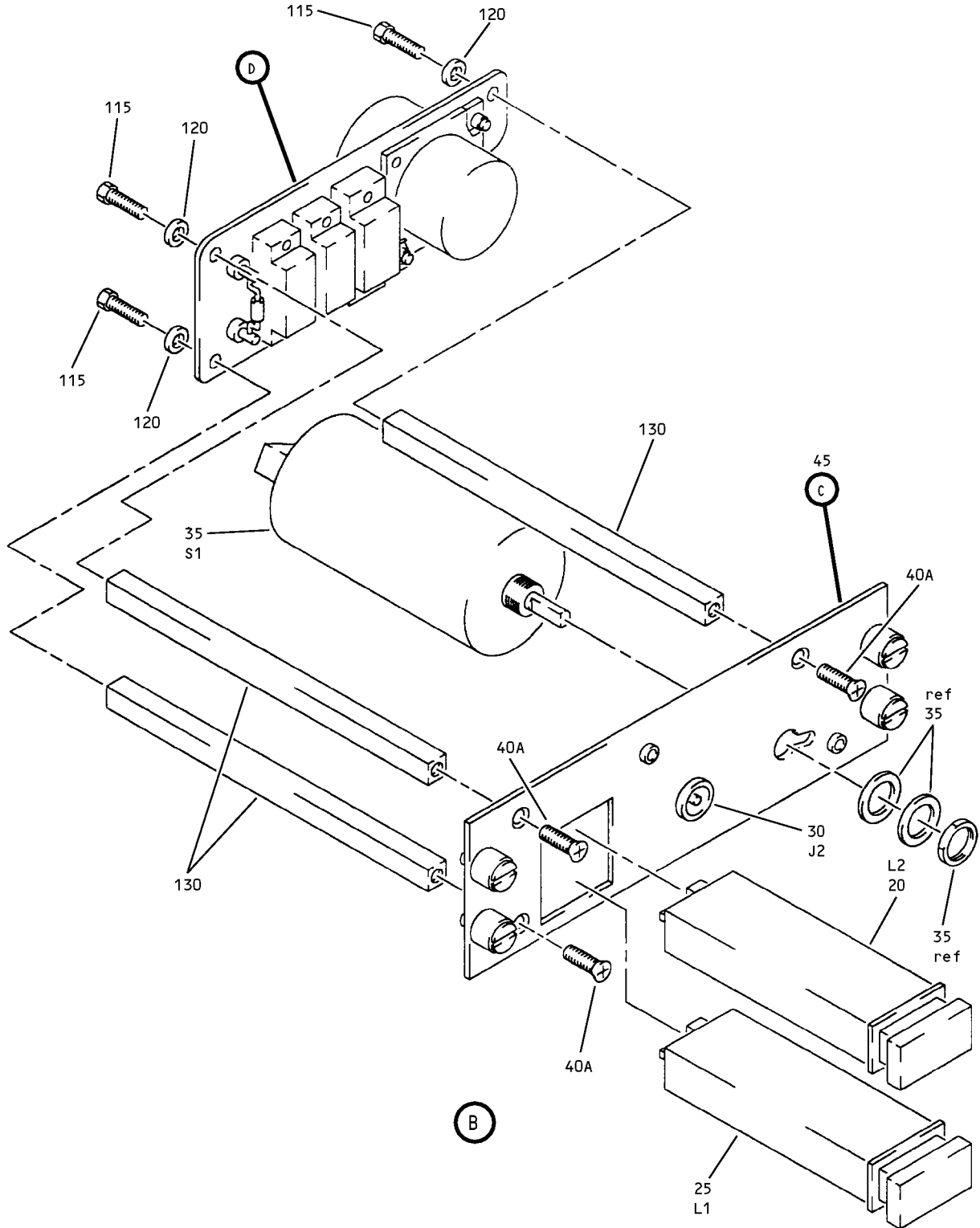
ILLUSTRATED PARTS LIST
01.1 Page 1047
Nov 01/03



Auxiliary Power Unit Control Panel Assembly, M1
Figure 5 (Sheet 1)

49-61-52

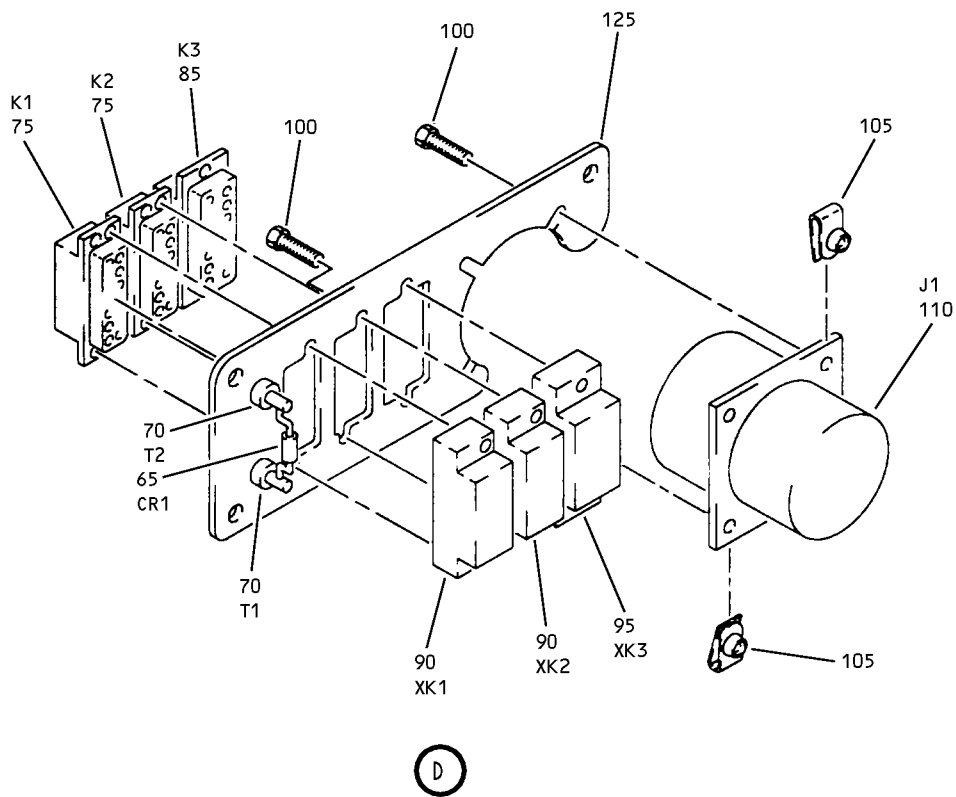
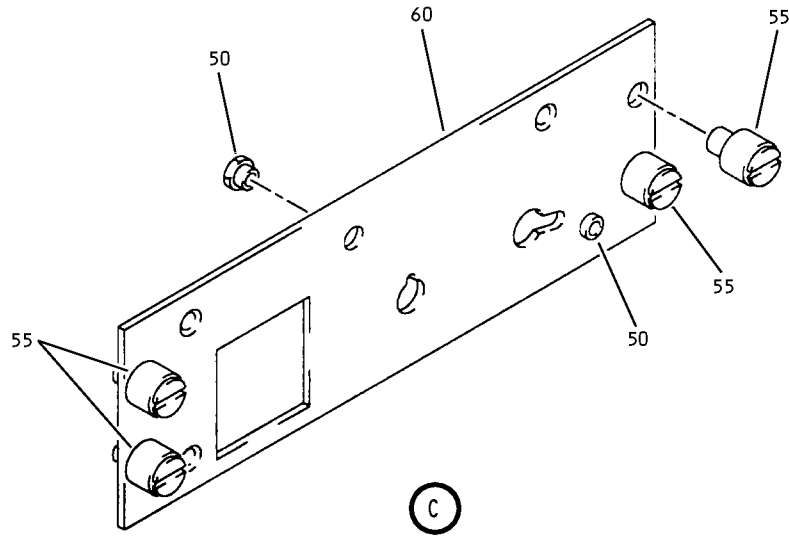
ILLUSTRATED PARTS LIST
01.1 Page 1048
Nov 01/03



Auxiliary Power Unit Control Panel Assembly, M1
Figure 5 (Sheet 2)

49-61-52

ILLUSTRATED PARTS LIST
01.1 Page 1049
Nov 01/03



Auxiliary Power Unit Control Panel Assembly, M1
 Figure 5 (Sheet 3)

49-61-52

ILLUSTRATED PARTS LIST
 01.1 Page 1050
 Nov 01/03

BOEING
COMPONENT
MAINTENANCE MANUAL

FIG. & ITEM	PART NO.	AIRLINE PART NUMBER	NOMENCLATURE 1234567	EFF CODE	QTY PER ASSY
05- -1A	233T3232-302		PANEL ASSY-M1 AUX PWR UNIT CONT (PRE SB 233T3232-49-02)	K	RF
R -1B	233T3232-305		PANEL ASSY-M1 AUX PWR UNIT CONT (POST SB 233T3232-49-02)	T	RF
5	BP248-127		.KNOB- (V15084)	K,T	1
10	800-002583		.LIGHTPLATE- (V05617) (SPEC S233T100-6025) (OPT S233T100-6025 (V51896))	K,T	1
15	233T3232-15		.PANEL ASSY- (PRE SB 233T3232-49-02)	K	1
R -15A	233T3232-23		.PANEL ASSY- (POST SB 233T3232-49-02)	T	1
20	BCREF8552		..LIGHT ASSY-FAULT IND (V81590) (434-674-1031-2122) (L2) (SPEC S231T300-2122)	K,T	1
25	BCREF8532		..LIGHT ASSY-RUN IND (V81590) (434-674-1031-2036) (L1) (SPEC S231T300-2036)	K,T	1
30	800000121-1		DELETED		
R 30A	800-000121-1		..CONNECTOR- (V05617) (J2)	K,T	1
35	AC45-0003-4		..SWITCH-ROTARY (V91812) (S1) (PRE SB 233T3232-49-02)	K	1
R -35A	3600-5929		..SWITCH-ROTARY (V31946) (S1) (POST SB 233T3232-49-02)	T	1
40A	FH6C5CPL12BN		..SCREW- (V12324)	K,T	3

49-61-52

FIG. & ITEM	PART NO.	AIRLINE PART NUMBER	NOMENCLATURE 1234567	EFF CODE	QTY PER ASSY
05-45	233T3232-2		..BASEPLATE ASSY	K,T	1
50	SF6G6CBB5D		...NUT- (V12324) (SPEC BACN10PA06-6)	K,T	2
55	DBMB1400-6A1		...STUD ASSY- (V08524) (SPEC BACS21DD1B)	K,T	4
60	BACP10U0187N		...BASEPLATE	K,T	1
65	1N5618		..DIODE- (CR1)	K,T	1
70	BCREF127088		..TERMINAL- (V18310) (1175-432-0320119) (T1, T2)	K,T	2
75	3SAV1338A2		..RELAY- (V01526) (SPEC BACR13CD2) (OPT BR16S233 (V09026)) (OPT EE4AA005 (V35344)) (OPT HFW1206K03 (V58614)) (OPT HFW1204K01 (V71482)) (OPT HFW1204K01 (V71482)) (K1, K2)	K,T	2
-80	M39029-22-192		..CONTACT	K,T	3
85	TDH1798-1000		..RELAY-TIME DELAY (STATIC SENSITIVE PART) (V58657) (K3)	K,T	1
90	RSE120026		..SOCKET-RELAY (V58982) (SPEC BACS16AG1) (OPT 451120-026 (V58982)) (XK1, XK2)	K,T	2
95	S0-1064-007		..SOCKET- (V35344) (XK3)	K,T	1
100	NAS1801-04-5		..SCREW	K	2
R -100A	BACS12HN04-5		..SCREW	T	2

49-61-52

 ILLUSTRATED PARTS LIST
 01.1 Page 1052
 Nov 01/03

 **BOEING**
COMPONENT
MAINTENANCE MANUAL

FIG. & ITEM	PART NO.	AIRLINE PART NUMBER	NOMENCLATURE 1234567	EFF CODE	QTY PER ASSY
05-105	K19798-04		..NUT- (V15653) (SPEC BACN10NW1) (OPT RMA4812-160-40 (V72962)) (OPT 293162 (V60119))	K,T	2
110	BACC45FN18-31P6		..CONNECTOR- (J1)	K,T	1
115	NAS1801-06-5		..SCREW	K	3
R 115A	BACS12HN06-5		..SCREW	T	3
120	BACW10EC06S		..WASHER	K	3
R -120A	BACW10EC06CD		..WASHER	T	3
125	233T6200-95		..BRACKET-SPRT	K,T	1
130	69B46200-11		..STANDOFF	K,T	3
-135	233T3232-10		..WIRE BUNDLE ASSY	K,T	1
-140	M39029-1-101		...CONTACT	K,T	16

- Item Not Illustrated

49-61-52

ILLUSTRATED PARTS LIST
01.1 Page 1053
Nov 01/03

FIG. & ITEM	PART NO.	AIRLINE PART NUMBER	NOMENCLATURE	EFF CODE	QTY PER ASSY
			1234567		
06-					
-1	BCREF6196		DELETED		
5	MS25237-387		DELETED		
10	674-1005-1036		DELETED		
15	434-093-001		DELETED		
20	434-1005-1036		DELETED		
A UG 25	/030012403218				

- Item Not Illustrated

49-61-52



BOEING
COMPONENT
MAINTENANCE MANUAL

FIG. & ITEM	PART NO.	AIRLINE PART NUMBER	NOMENCLATURE	EFF CODE	QTY PER ASSY
			1234567		
07-					
-1	BCREF6201		DELETED		
5	MS25237-387		DELETED		
10	674-1005-1122		DELETED		
15	434-093-001		DELETED		
20	434-1005-1122		DELETED		

- Item Not Illustrated

49-61-52

ILLUSTRATED PARTS LIST
01.1 Page 1055
Nov 01/03